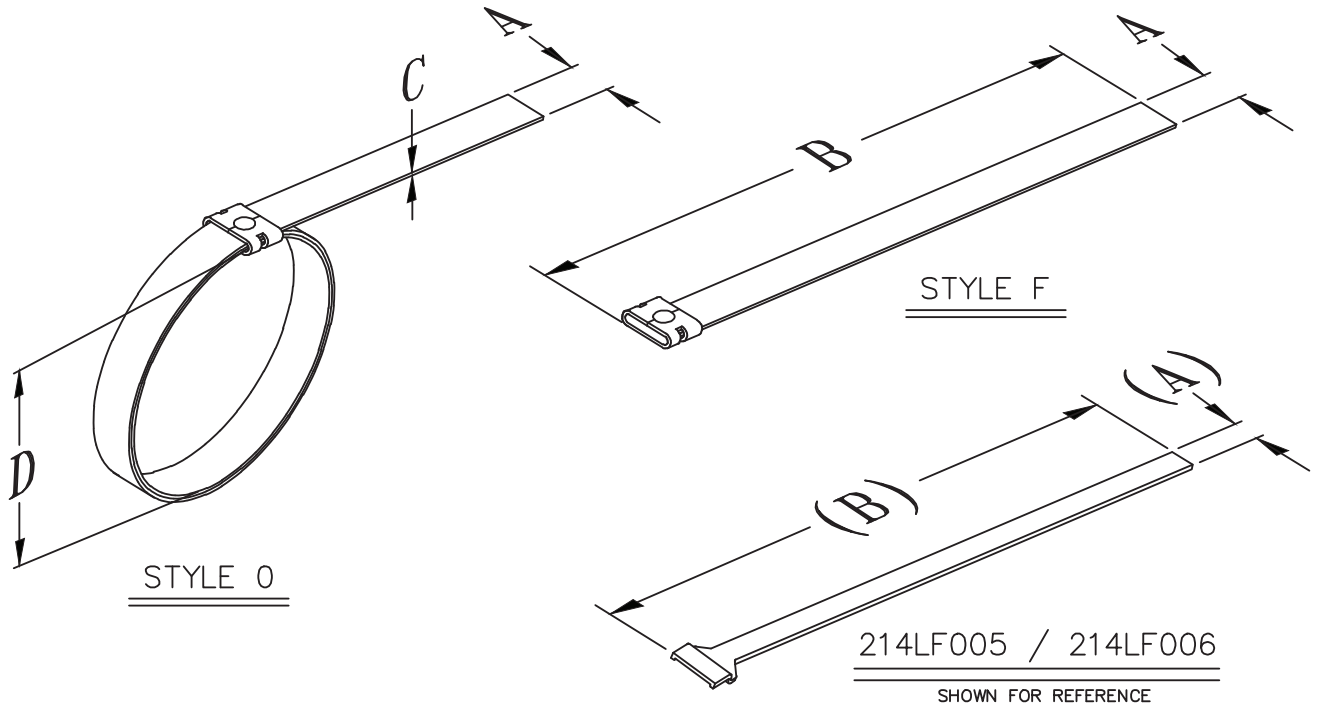




ELECTRO ADAPTER INC.
 CHATSWORTH, CALIFORNIA, USA 91311
 PHONE (818) 998-1198
 FAX (818) 709-5773

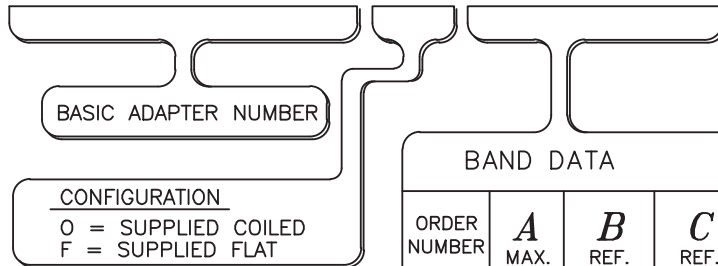
**SECTION 2 - BANDING TERMINATION
 WIRE HARNESS ACCESSORIES,
 ELECTRICAL, EMI / RFI / EMP,
 SHIELD TERMINATION BAND,
 PER AS85049 CATEGORY 7**

214L
 SHEET 1 OF 1



Example Part Number

214LF002



ORDER NUMBER	BAND DATA			ϕD APPROX.	
	A MAX.	B REF.	C REF.	FULL OPEN	MIN. INSTALLED
5 002	.25	12.00	.019	1.50	.156
6 005	.12	8.125	.015	.88	.125
7 006	.25	14.25	.019	1.80	.156

NOTES: UNLESS OTHERWISE SPECIFIED

1. ASSEMBLY IDENT. PER MIL-STD-1285
2. MATERIAL: 300 SERIES STAINLESS STEEL
3. FINISH: PASSIVATE PER SAE AMS2700D
4. BANDS MUST BE DOUBLE WRAPPED.
5. EXTENDED LENGTHS AVAILABLE
CONSULT FACTORY REGARDING THIS OPTION
6. INSTALL USING BAND-IT[®] TOOL #A30199
7. INSTALL USING BAND-IT[®] TOOL #A40199
8. BAND(S) COME BAGGED AND TAG IN QTY(S)
FROM 1 TO 100
9. PRODUCT(S) MAY LOOK DIFFERENT THEN SHOWN
10. BAND(S) MEET REQUIREMENTS OF AS85049/128