

19MM PANEL SEALED METAL ELECTRO MECHANICAL

Built on the proven series 48 platform these rugged switches come in stainless steel or chrome plated housings with either momentary or maintained action and lighted or unlighted versions. The variety of options in this compact package size make the 48M ideal for many applications.

Series 48M-EM



ACTUAL SIZE

APPLICATIONS

- Outdoor Controls
- Security Equipment
- Medical Equipment
- Food Processing
- Military Equipment
- Industrial Machinery
- Transportation: Mass-transit, Lift Truck

KEY FEATURES:

- Momentary or Maintained Action
- Stainless Steel Housing
- Center Spot or Ring Illumination
- Variety of LED Colors
- Electro-Mechanical
- Panel Sealed to IP67
- RoHS Compliant Gold Plated Contact and Terminals
- SERIES 48M:19MM PANEL SEALED METAL
- 5A / 28VDC with UL 61058

ORDERING INFORMATION:

Series:

- Blank** Gold Contact IP67
- S** Silver Contact IP67
- N** Silver Contact
- C** Silver Contact
Screw Terminal IP67
- G** Silver Contact IP67/2A
- SA** Silver Contact IP67/5A

Switch Function:

- 1** Mechanical, Momentary, Solder Terminal
- 2** Mechanical, Maintained, Solder Terminal
- 5** Mechanical, Momentary, PC Terminal
- 6** Mechanical, Maintained, PC Terminal
- A** Mechanical, Momentary, Wire Leads
- B** Mechanical, Maintained, Wire Leads
- 9** Special, Digits Are in Serial Order

Housing Material:

- 1** Stainless Steel, Natural
- 2** Zinc Alloy, Velour Chrome Plated

Illumination:

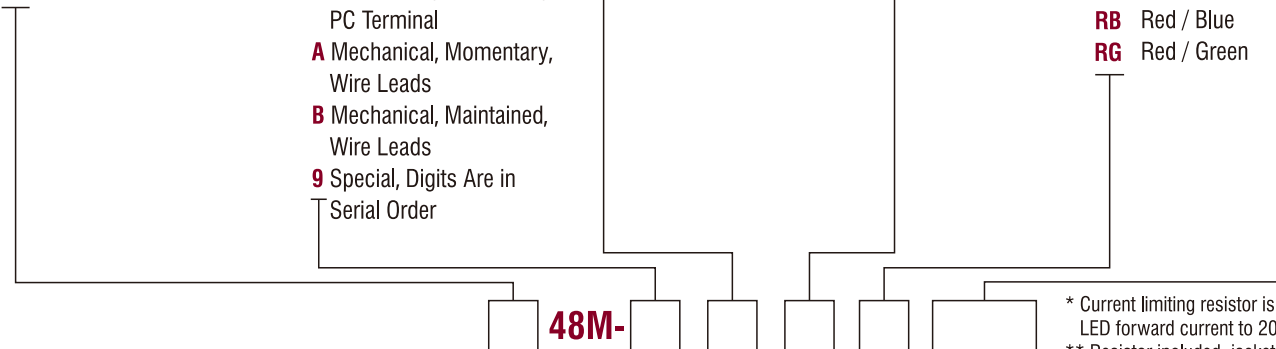
- 0** Non-lit
- 1** Center Spot Illumination
- 2** Ring Illumination
- 3** Standby Logo Illumination

LED Color:

- N** None
- G** Green
- R** Red
- A** Amber
- Y** Yellow
- B** Blue
- W** White
- RB** Red / Blue
- RG** Red / Green

Voltage Resistor:

- If Blank*
- 05** 5V Forward
- 12** 12V Forward
- 24** 24V Forward



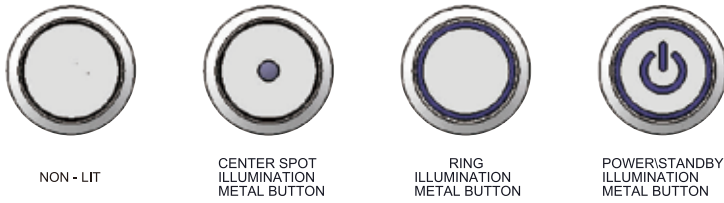
* Current limiting resistor is required to limit LED forward current to 20mA (not included).
 ** Resistor included, jacketed leads by special request.
 *** Resistor and jacketed leads included.

STANDARDS / AGENCY / RATINGS:

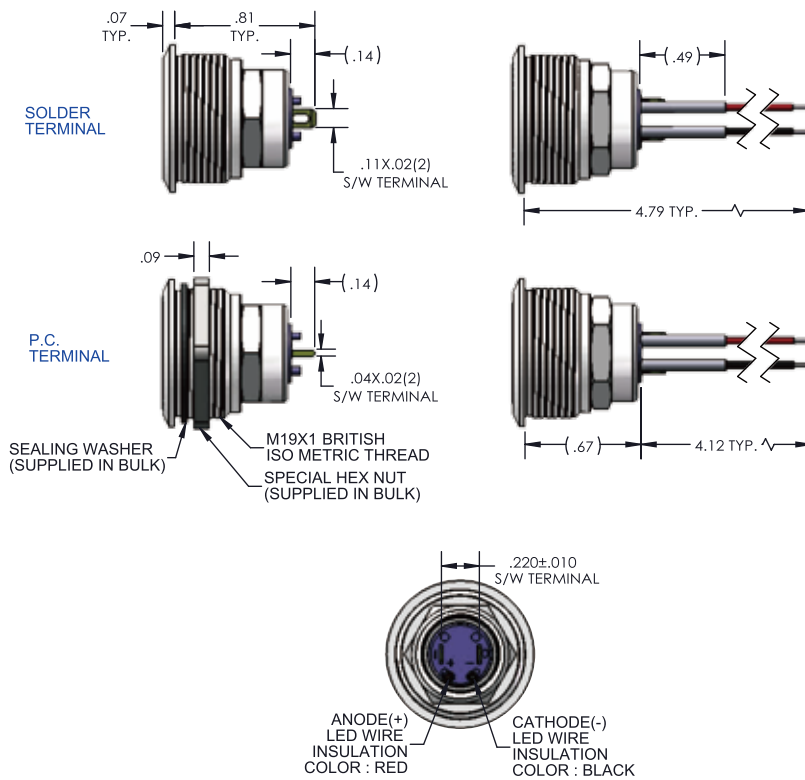


SERIES 48M: 19MM PANEL SEALED METAL PUSHBUTTON

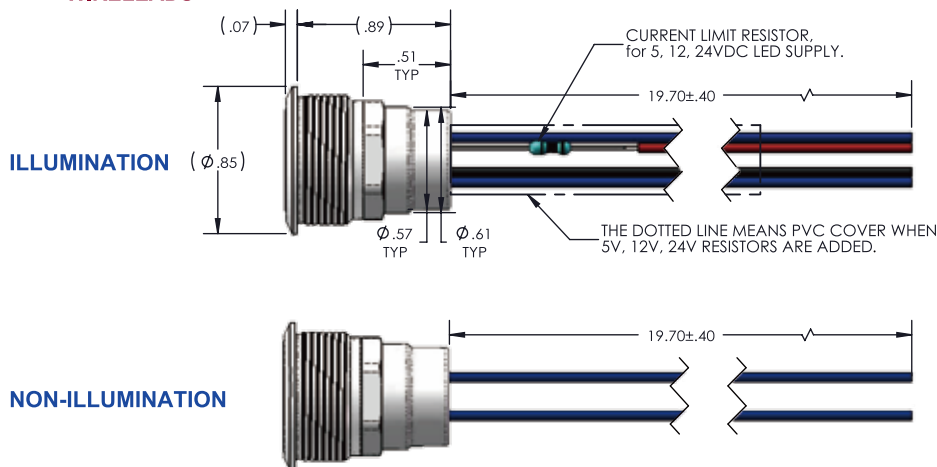
PRODUCT DRAWINGS



48M/ S48M/ N48M SERIES



WIRELEADS



MECHANICAL / ELECTRICAL CHARACTERISTICS:

CIRCUIT:

SPST-NO-DB

BUTTON TRAVEL(NOM):

0.09 inches / 2.3mm

OPERATING FORCE (NOM):

3N / 306g

CONTACT BOUNCE (NOM):

1 millisecond

PANEL THICKNESS:

0.20 - 0.120 inches / 0.5 - 3mm

TEMPERATURE INDEX:

-40°C to +85°C

TORQUE (MAX):

10 inch pounds

LED OPERATION TEMPERATURE:

-13°F to +185°F / -25°C to +85°C

CURRENT RATINGS (Resistive)

48M (Momentary)

250mA @ 12VDC, 100k Cycles

150mA @ 28VDC, 150k Cycles

100mA @ 48VDC, 100k Cycles

10mA @ 12VDC, 1,000k Cycles

48M (Maintained)

50,000 Cycles Nominal

S48M / N48M (Momentary)

10mA @ 12VDC, 200K Cycles

S48M / N48M (Maintained)

20K Cycles Nominal

ELECTRICAL SPECIFICATIONS

DIELECTRIC STRENGTH:

1,000 VAC

INSULATION RESISTANCE:

1GΩ

CONTACT RESISTANCE:

50mΩ max (initial)

PUSHBUTTON SWITCHES

SERIES 48M: 19MM PANEL SEALED METAL PUSHBUTTON

MECHANICAL / ELECTRICAL CHARACTERISTICS:

CIRCUIT:

SPST-NO-DB

BUTTON TRAVEL(NOM):

0.09 inches / 2.3mm

OPERATING FORCE (NOM):

3N / 306g

CONTACT BOUNCE (NOM):

1 millisecond

PANEL THICKNESS:

0.20 - 0.120 inches / 0.5 - 3mm

TEMPERATURE INDEX:

-40°C to +85°C

TORQUE (MAX):

10 inch pounds

LED OPERATION TEMPERATURE:

-13°F to +185°F / -25°C to +85°C

CURRENT RATINGS (Resistive)

C48M (Momentary)

10mA @ 12VDC, 200K Cycles

C48M (Maintained)

20K Cycles Nominal

SA48M (Momentary)

5A @ 28VDC, 125/250 VAC 25K Cycles
Nominal

ELECTRICAL SPECIFICATIONS

DIELECTRIC STRENGTH:

1,000 VAC

INSULATION RESISTANCE:

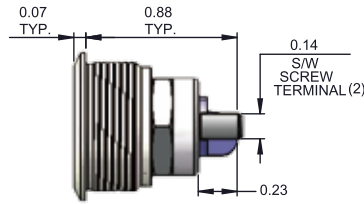
1GΩ

CONTACT RESISTANCE:

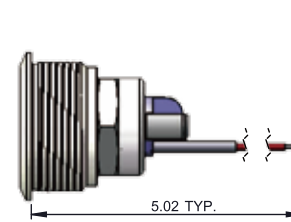
50mΩ max (initial)

C48M SERIES

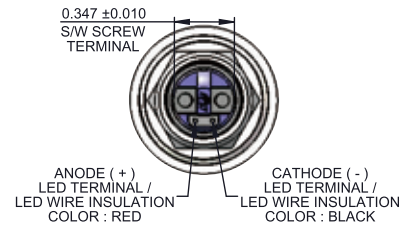
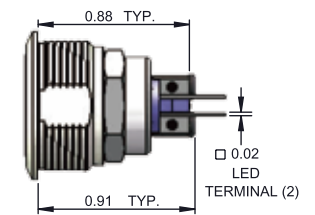
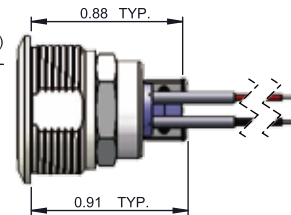
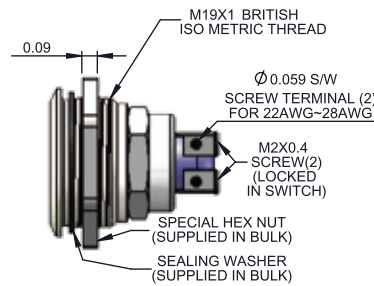
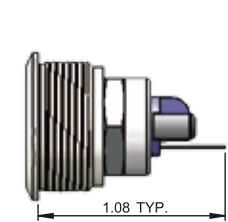
C48M-1X0N/2X0N



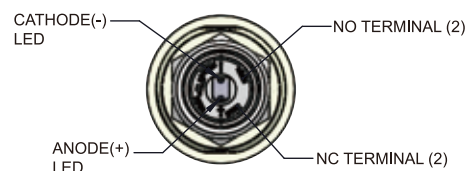
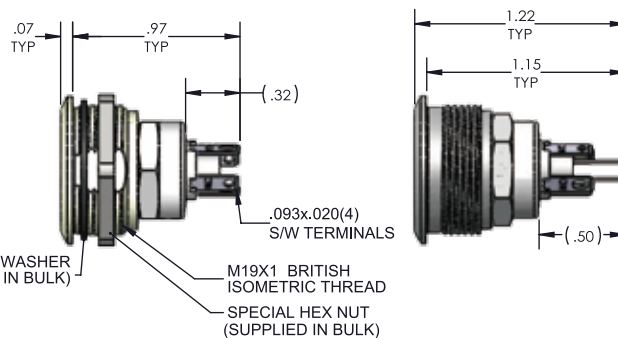
C48M-1XXX/2XXX



C48M-EXXX/FXXX

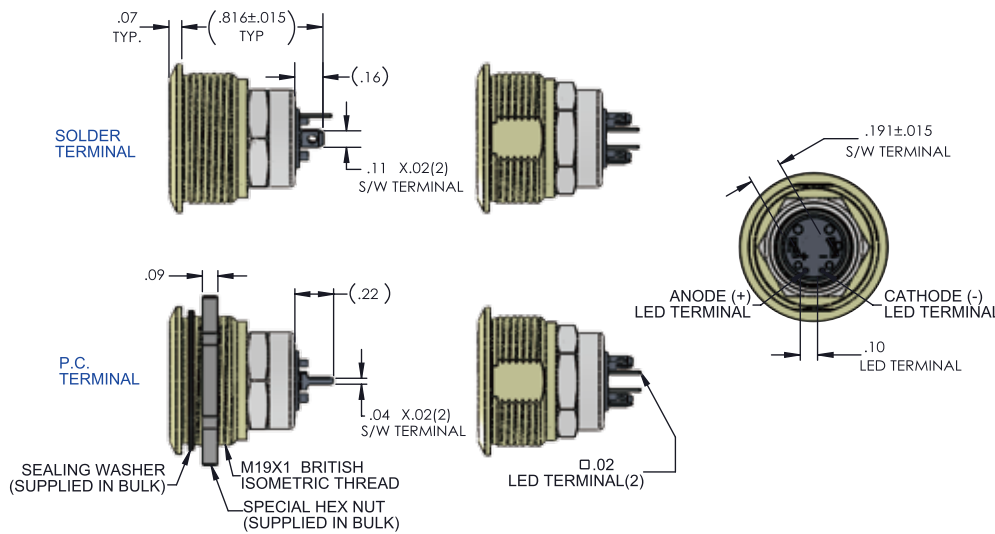


SA48M SERIES

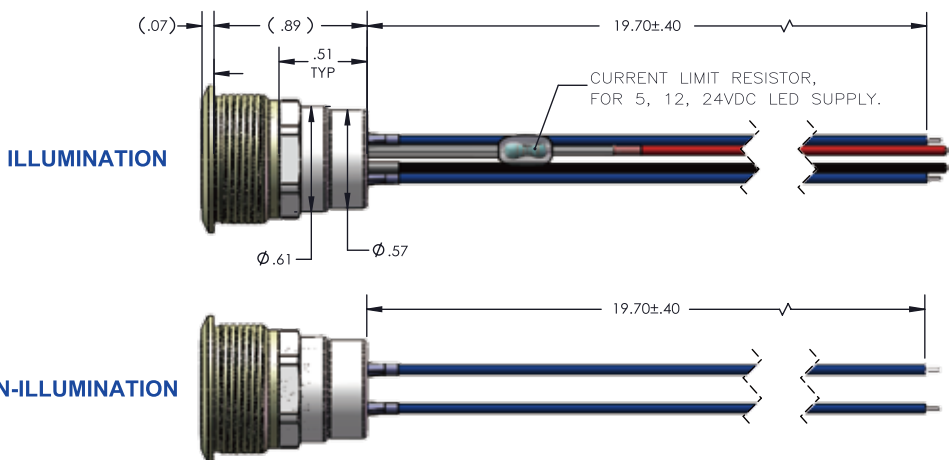


SERIES 48M: 19MM PANEL SEALED METAL PUSHBUTTON

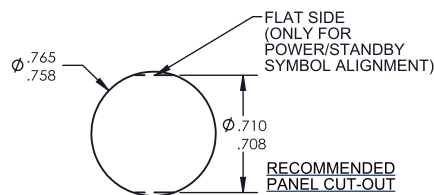
G48M SERIES



WIRELEADS



RECOMMENDED PANEL CUT-OUT



PANEL MOUNTING AND CONSTRUCTION INFORMATION

The series 48M mounts easily into panels of minimum 0.20"(0.5mm) and maximum 0.177"(4.5mm) thicknesses. Front panel sealing to IP67 is achieved by a sealing o-ring fitted to the body of the switch before it is inserted into the panel hole cutout. It is held onto the panel by means of a metal hex nut tightened down to a torque of 10 inch pounds to achieve the correct sealing pressure. Designs and specifications are subject to change without notice due to product improvement.

MECHANICAL / ELECTRICAL CHARACTERISTICS:

CIRCUIT:

SPST-NO-DB

BUTTON TRAVEL(NOM):

0.09 inches / 2.3mm

OPERATING FORCE (NOM):

3N / 306g

CONTACT BOUNCE (NOM):

1 millisecond

PANEL THICKNESS:

0.20 - 0.120 inches / 0.5 - 3mm

TEMPERATURE INDEX:

-40°C to +85°C

TORQUE (MAX):

10 inch pounds

LED OPERATION TEMPERATURE:

-13°F to +185°F / -25°C to +85°C

CURRENT RATINGS (Resistive)

G48M (Momentary)

2A @ 24VDC, 40K Cycles

2A @ 250VAC, 40K Cycles

G48M (Maintained)

2A @ 24VDC, 20K Cycles

2A @ 250VAC, 20K Cycles

ELECTRICAL SPECIFICATIONS

DIELECTRIC STRENGTH:

1,000 VAC

INSULATION RESISTANCE:

1GΩ

CONTACT RESISTANCE:

50mΩ max (initial)