

Infra Red LED road light

P/N : 80-6000-000

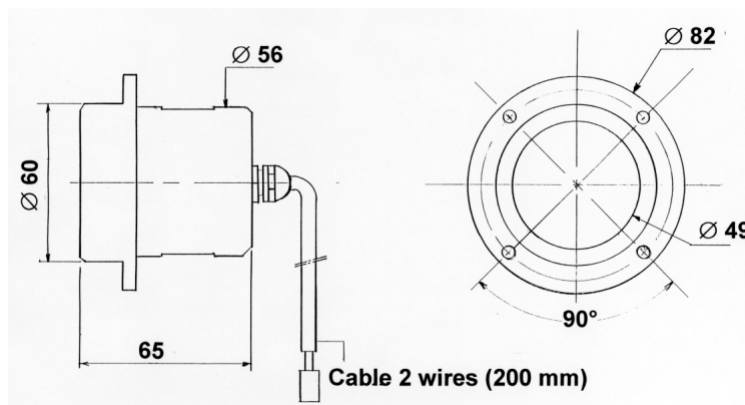
INFRARED PROJECTOR



DESCRIPTION

- The infrared projector enables to internally and externally illuminate places where discretion is required.
- The light wavelength used makes this light invisible to naked eye, but highly visible with Night Vision Goggles. IL (II-III)
- A specific power supply integrated in the light gives the capability to work at nominal light power, even in case of supply voltage variation.

PHYSICAL DIMENSIONS



TECHNICAL DATA

■ Power supply

10V to 32V-10W

■ Optics

IR power : 2 800 mW

Wavelength : $880 \pm 20\text{nm}$

■ Light source

55 Leds

Because it does not use classical bulbs, it provides an exceptional reliability.

■ Weight

350g

■ Body

Strong anodised metal waterproof / shock proof

■ Lifetime

50 000 H

■ Connection output

Wires.

■ Approx angle beam

120°.

■ Approx illuminate distance 80m (depend on night level).

Tel: (972)-3-9592500, Fax: (972)-3-9514166, E- Mail: RFQ@elimec.co.il

Address: 1 Lishansky st., Rishon Le-Zion, Israel. Zip Code: 75650