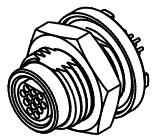
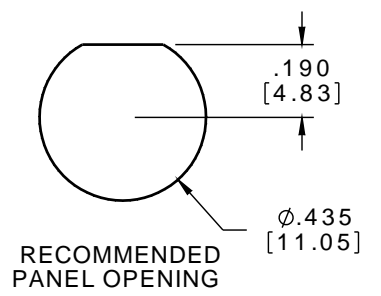
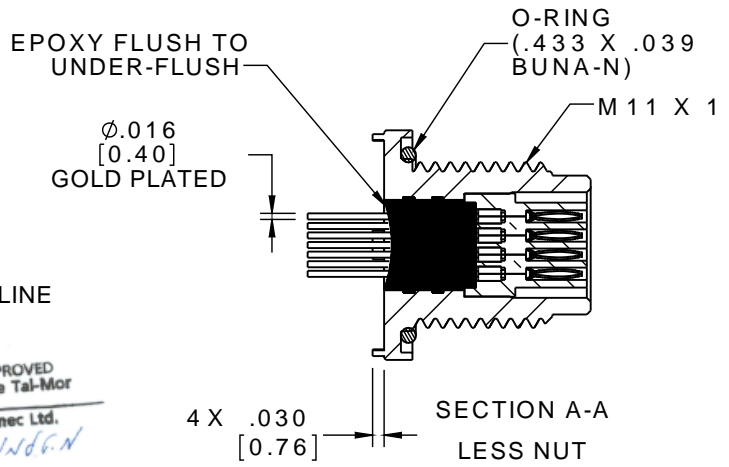
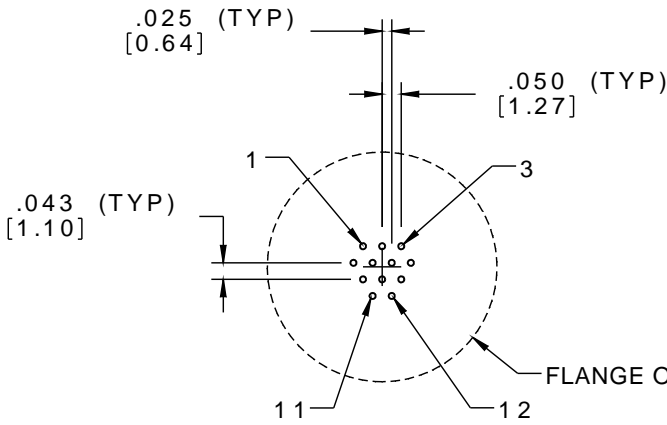
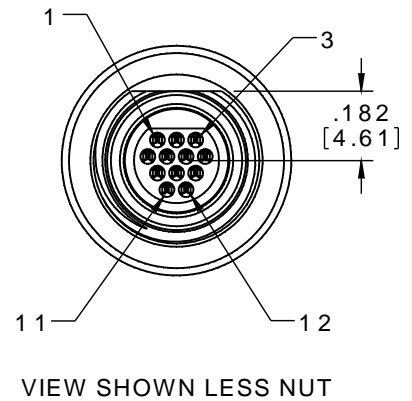
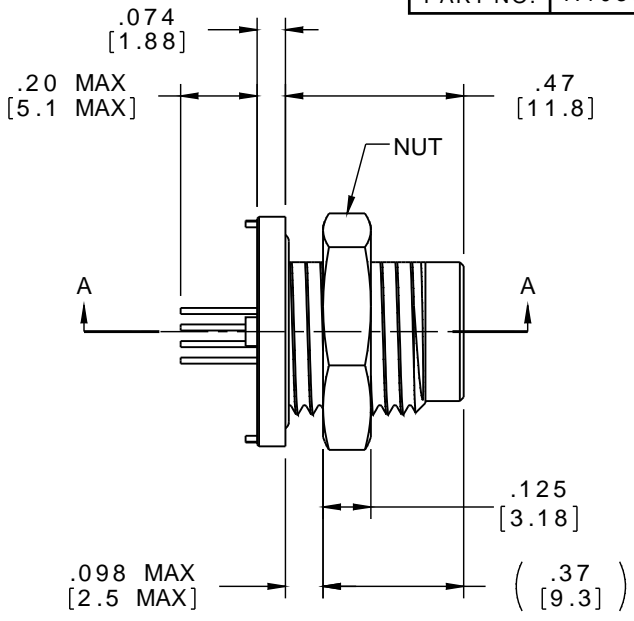
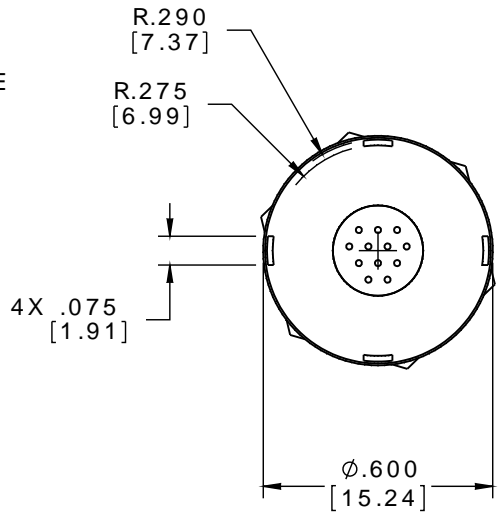


PART NO.	A 103734-801	REV	ECO	DATE	APP
		2		09-13-13	



ACTUAL SIZE



APPROVED
Moshe Tai-Mor
Date: *08/20/13*
Elimec Ltd.

RECOMMENDED BOARD LAYOUT

Drawing Approval

Date SEP. - 16 - 2013

RoHS

REF: IMI

NOTE:
SHELL AND NUT TO BE STAINLESS STEEL

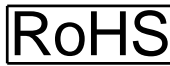
DIMENSIONS IN [] ARE IN MILLIMETERS UNLESS OTHERWISE NOTED AND ARE FOR REFERENCE ONLY

THIRD ANGLE	UNLESS OTHERWISE NOTED	THIS DRAWING CONTAINS CONFIDENTIAL AND PROPRIETARY INFORMATION WHICH IS THE PROPERTY OF OMNETICS CONNECTOR CORP. THIS DOCUMENT MAY NOT, IN WHOLE OR IN PART, BE DUPLICATED, OR DISCLOSED FOR ANY PURPOSE, WITHOUT WRITTEN PERMISSION FROM OMNETICS CONNECTOR CORP.		TITLE: (12) PIN MALE CIRCULAR CONNECTOR W/METAL SHELL	OMNETICS CONNECTOR CORPORATION 7260 COMMERCE CIRCLE EAST MINNEAPOLIS, MN 55432 WWW.OMNETICS.COM	CAGE CODE 61873	
	DIMENSIONS IN INCHES	DFTM. TLM	DATE 08-20-13			DWG NO. A 103734-801	
2 PL DEC ± .01	3 PL DEC ± .005	CHK'D.	DATE	DATE	7260 COMMERCE CIRCLE EAST MINNEAPOLIS, MN 55432 WWW.OMNETICS.COM	SHEET 1 OF 3	REV 2
4 PL DEC ± .0005	ANGLES ± 1°	APP'D.	DATE	DATE		SCALE: 2:1	

PART NO.	A 103734-801	REV	ECO	DATE	APP
		2		09-13-13	

PRODUCT FAMILY TESTED TO AND PASSED THE FOLLOWING PERFORMANCE SPECIFICATIONS

CURRENT RATING:	3 AMPS MAX
DIELECTRIC WITHSTANDING VOLTAGE:	600 VAC RMS
INSULATION RESISTANCE:	5000 MEGAOHMS MIN @ 500 VDC
CONTACT RESISTANCE:	26 MILLIOHMS (65 mV) MAX @ 2.5 AMPS
MATING/UNMATING FORCE:	FORCES NOT TO EXCEED 6 OZ/CONTACT
TEMPERATURE CYCLING:	- 5 5°C TO +125°C, 5 CYCLES
HUMIDITY (MATED):	IAW MIL-STD-1344, METHOD 1002.0, TYPE II, OMIT STEPS 7A & 7B
VIBRATION:	IAW-MIL-STD-1344, METHOD 205.1, TEST CONDITION IV, 20 g's
MECHANICAL SHOCK:	IAW-MIL-STD-1344, METHOD 2004.1, TEST CONDITION E, 50 g's
DURABILITY:	500 CYCLES
CONTACT RESISTANCE AFTER DURABILTY:	28 MILLIOHMS (65 mV) MAX @ 2.5 AMPS
MATING/UNMATING AFTER DURABILITY:	FORCES NOT TO EXCEED 6 OZ/CONTACT
SALT SPRAY:	48 hrs IAW-MIL-STD-1344, METHOD 1001.1, TEST CONDITION B
LOW LEVEL CONTACT RESISTANCE AFTER SALT SPRAY:	28 MILLIOHMS (2.8 mV) MAX @ 100 MILLIAMPS
CONTACT RESITANCE AFTER SALT SPRAY:	28 MILLIOHMS (70 mV) MAX @ 2.5 MILLIAMPS
MATING/UNMATING FORCE AFTER SALT SPRAY:	FORCES NOT TO EXCEED 6 OZ/CONTACT
CONTACT RETENTION AFTER SALT SPRAY:	MINIMUM OF 5 lbs CONTACT RETENTION
THERMAL VACUUM OUTGASSING:	NASA SP-R-0022
SOLDER HEAT & CONTACT RETENTION:	360°C FOR 10 s & CONTACTS MUST WITHSTAND 5 lbs RETENTION FORCE
SOLDERABILITY	MIL-STD-202, METHOD 208



REF: IMI

AMETEK MMICP	THIRD ANGLE	THIS DRAWING CONTAINS CONFIDENTIAL AND PROPRIETARY INFORMATION WHICH IS THE PROPERTY OF OMNETICS CONNECTOR CORP. THIS DOCUMENT MAY NOT, IN WHOLE OR IN PART, BE DUPLICATED, OR DISCLOSED FOR ANY PURPOSE, WITHOUT WRITTEN PERMISSION FROM OMNETICS CONNECTOR CORP.		CAGE CODE 61873	
	-TOLERANCES- UNLESS OTHERWISE NOTED				DFTM. TLM
	DIMENSIONS IN INCHES	CHK'D.	DATE	(12) PIN MALE CIRCULAR CONNECTOR W/METAL SHELL	7260 COMMERCE CIRCLE EAST MINNEAPOLIS, MN 55432 WWW.OMNETICS.COM
	2 PL DEC ± .01 3 PL DEC ± .005 4 PL DEC ± .0005 ANGLES ± 1°	APP'D.	DATE		SCALE: 2:1

PART NO.	A 103734-801	REV	ECO	DATE	APP
		2		09-13-13	

MATERIALS & FINISHES

INSULATOR

THERMOPLASTIC POLYESTER PER MIL-24519, TYPE GLCP-30F, NATURAL

CONATCT MATERIAL

PINS - BERYLLIUM COPPER PER ASTM B194, ALLOY C17200

CONTACT FINISH

GOLD PLATE PER ASTM B488, TYPE II (HARD GOLD), CODE C, CLASS 1.27 (.000050)

RoHS TEMINATION FINISH ON TAILS

PIN - HARD GOLD PLATE PER MIL-G-45204

SHELLS



303 STAINLESS STEEL

SHELL FINISH

PASSIVATE PER SAE-AMS-2700, TYPE 2

RoHS

REF: IMI

MMICP SHEW	THIRD ANGLE 	THIS DRAWING CONTAINS CONFIDENTIAL AND PROPRIETARY INFORMATION WHICH IS THE PROPERTY OF OMNETICS CONNECTOR CORP. THIS DOCUMENT MAY NOT, IN WHOLE OR IN PART, BE DUPLICATED, OR DISCLOSED FOR ANY PURPOSE, WITHOUT WRITTEN PERMISSION FROM OMNETICS CONNECTOR CORP.		TITLE: (12) PIN MALE CIRCULAR CONNECTOR W/METAL SHELL	 OMNETICS CONNECTOR CORPORATION 7260 COMMERCE CIRCLE EAST MINNEAPOLIS, MN 55432 WWW.OMNETICS.COM	CAGE CODE 61873	
	-TOLERANCES- UNLESS OTHERWISE NOTED	DFTM. TLM	DATE 08-20-13			DWG NO. A 103734-801	
	DIMENSIONS IN INCHES	CHK'D.	DATE	SHEET 3 OF 3	REV 2		
	2 PL DEC ± .01 3 PL DEC ± .005 4 PL DEC ± .0005 ANGLES ± 1°	APP'D.	DATE	SCALE: 2:1			