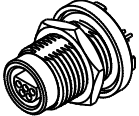
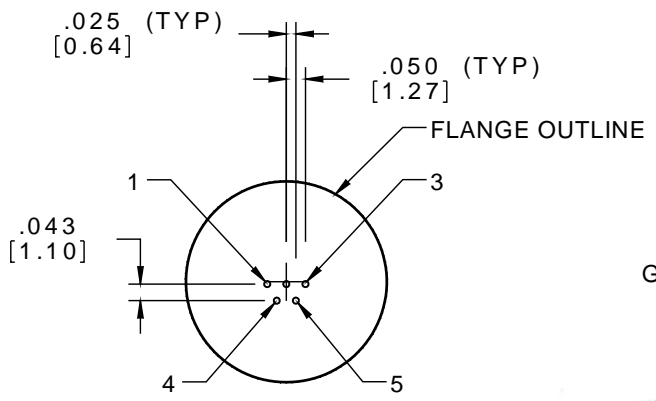
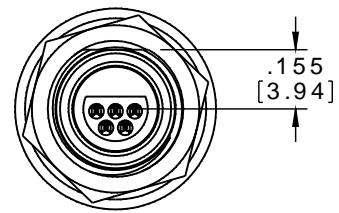
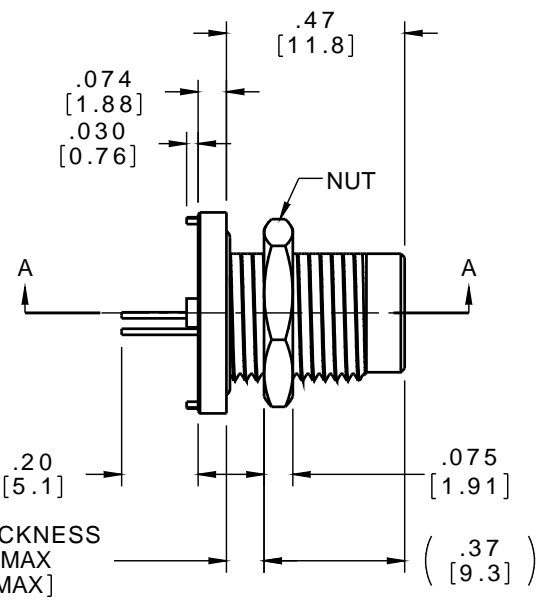
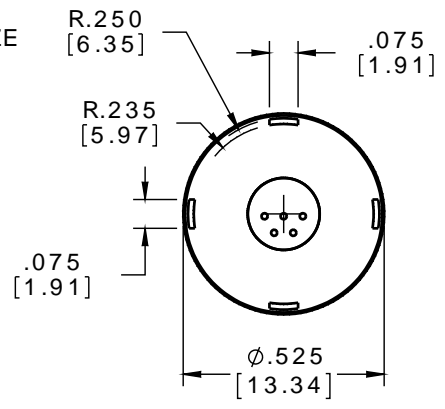


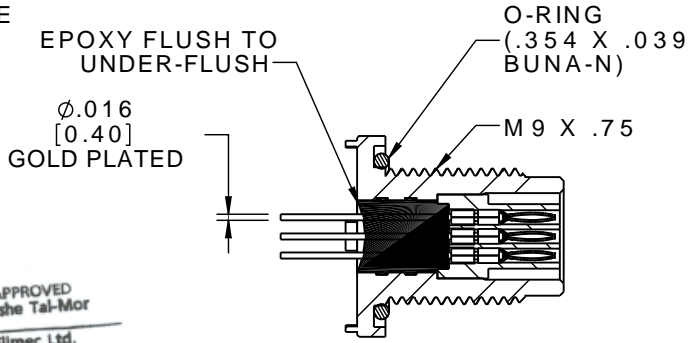
PART NO.	A 103735-801	REV	ECO	DATE	APP
		2		09-13-13	



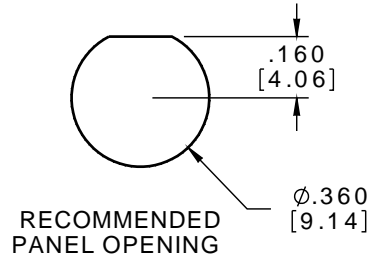
ACTUAL SIZE



RECOMMENDED BOARD LAYOUT



SECTION A-A
LESS NUT



RECOMMENDED PANEL OPENING

APPROVED
Moshe Tal-Mor
Date: *8/19/2013*
Elimec Ltd.

Drawing Approval
Date SEP. - 16 - 2013

RoHS

NOTE:
SHELL AND NUT TO BE STAINLESS STEEL

DIMENSIONS IN [] ARE IN MILLIMETERS UNLESS OTHERWISE NOTED AND ARE FOR REFERENCE ONLY

THIRD ANGLE	-TOLERANCES- UNLESS OTHERWISE NOTED		THIS DRAWING CONTAINS CONFIDENTIAL AND PROPRIETARY INFORMATION WHICH IS THE PROPERTY OF OMNETICS CONNECTOR CORP. THIS DOCUMENT MAY NOT, IN WHOLE OR IN PART, BE DUPLICATED, OR DISCLOSED FOR ANY PURPOSE, WITHOUT WRITTEN PERMISSION FROM OMNETICS CONNECTOR CORP.	DATE 8/19/2013	TITLE: (05) PIN MALE CIRCULAR CONNECTOR W/METAL SHELL
	DIMENSIONS IN INCHES				
	DFTM. TLM	DATE			
	CHK'D.	DATE			
APP'D.	DATE				

OMNETICS
CONNECTOR CORPORATION
7260 COMMERCE CIRCLE EAST
MINNEAPOLIS, MN 55432
WWW.OMNETICS.COM

CAGE CODE 61873	
DWG NO. A 103735-801	
SHEET 1 OF 3	REV 2
SCALE: 2:1	

REF: IMI

PART NO.	A 103735-801	REV	ECO	DATE	APP
		2		09-13-13	

PRODUCT FAMILY TESTED TO AND PASSED THE FOLLOWING PERFORMANCE SPECIFICATIONS

CURRENT RATING:	3 AMPS MAX
DIELECTRIC WITHSTANDING VOLTAGE:	600 VAC RMS
INSULATION RESISTANCE:	5000 MEGAOHMS MIN @ 500 VDC
CONTACT RESISTANCE:	26 MILLIOHMS (65 mV) MAX @ 2.5 AMPS
MATING/UNMATING FORCE:	FORCES NOT TO EXCEED 6 OZ/CONTACT
TEMPERATURE CYCLING:	- 5 5°C TO +125°C, 5 CYCLES
HUMIDITY (MATED):	IAW MIL-STD-1344, METHOD 1002.0, TYPE II, OMIT STEPS 7A & 7B
VIBRATION:	IAW-MIL-STD-1344, METHOD 205.1, TEST CONDITION IV, 20 g's
MECHANICAL SHOCK:	IAW-MIL-STD-1344, METHOD 2004.1, TEST CONDITION E, 50 g's
DURABILITY:	500 CYCLES
CONTACT RESISTANCE AFTER DURABILTY:	26 MILLIOHMS (65 mV) MAX @ 2.5 AMPS
MATING/UNMATING AFTER DURABILITY:	FORCES NOT TO EXCEED 6 OZ/CONTACT
SALT SPRAY:	48 hrs IAW-MIL-STD-1344, METHOD 1001.1, TEST CONDITION B
LOW LEVEL CONTACT RESISTANCE AFTER SALT SPRAY:	28 MILLIOHMS (2.8 mV) MAX @ 100 MILLIAMPS
CONTACT RESITANCE AFTER SALT SPRAY:	28 MILLIOHMS (70 mV) MAX @ 2.5 AMPS
MATING/UNMATING FORCE AFTER SALT SPRAY:	FORCES NOT TO EXCEED 6 OZ/CONTACT
CONTACT RETENTION AFTER SALT SPRAY:	MINIMUM OF 5 lbs CONTACT RETENTION
THERMAL VACUUM OUTGASSING:	NASA SP-R-0022
SOLDER HEAT & CONTACT RETENTION:	360°C FOR 10 s & CONTACTS MUST WITHSTAND 5 lbs RETENTION FORCE
SOLDERABILITY	MIL-STD-202, METHOD 208



REF: IMI

AMNETS M/NO/CP	THIRD ANGLE	THIS DRAWING CONTAINS CONFIDENTIAL AND PROPRIETARY INFORMATION WHICH IS THE PROPERTY OF OMNETICS CONNECTOR CORP. THIS DOCUMENT MAY NOT, IN WHOLE OR IN PART, BE DUPLICATED, OR DISCLOSED FOR ANY PURPOSE, WITHOUT WRITTEN PERMISSION FROM OMNETICS CONNECTOR CORP.		TITLE: (05) PIN MALE CIRCULAR CONNECTOR W/METAL SHELL	 OMNETICS CONNECTOR CORPORATION 7260 COMMERCE CIRCLE EAST MINNEAPOLIS, MN 55432 WWW.OMNETICS.COM	CAGE CODE 61873	
	-TOLERANCES- UNLESS OTHERWISE NOTED DIMENSIONS IN INCHES					DFTM. TLM	DATE 8/19/2013
	2 PL DEC ± .01 3 PL DEC ± .005 4 PL DEC ± .0005 ANGLES ± 1°	CHK'D.	DATE	SHEET 2 OF 3			
		APP'D.	DATE	REV 2			
			SCALE: 2:1				

PART NO.	A 103735-801	REV	ECO	DATE	APP
		2		09-13-13	

MATERIALS & FINISHES

INSULATOR
 THERMOPLASTIC POLYESTER PER MIL-24519, TYPE GLCP-30F,
 NATURAL

CONTACT MATERIAL
 PINS - BERYLLIUM COPPER PER ASTM B194, ALLOY C17200

CONTACT FINISH
 GOLD PLATE PER ASTM B488, TYPE II (HARD GOLD), CODE C, CLASS
 1.27 (.000050)

RoHS TERMINATION FINISH ON TAILS
 PIN - HARD GOLD PLATE PER MIL-G-45204

SHELLS
 303 STAINLESS STEEL

SHELL FINISH
 PASSIVATE PER SAE-AMS-2700, TYPE 2

RoHS

REF: IMI

M/MICP SHEETS	THIRD ANGLE	THIS DRAWING CONTAINS CONFIDENTIAL AND PROPRIETARY INFORMATION WHICH IS THE PROPERTY OF OMNETICS CONNECTOR CORP. THIS DOCUMENT MAY NOT, IN WHOLE OR IN PART, BE DUPLICATED, OR DISCLOSED FOR ANY PURPOSE, WITHOUT WRITTEN PERMISSION FROM OMNETICS CONNECTOR CORP.		TITLE: (05) PIN MALE CIRCULAR CONNECTOR W/METAL SHELL		CAGE CODE 61873	
	-TOLERANCES- UNLESS OTHERWISE NOTED DIMENSIONS IN INCHES	DFTM. TLM DATE 8/19/2013	DATE			DWG NO. A 103735-801	
	2 PL DEC ± .01 3 PL DEC ± .005 4 PL DEC ± .0005 ANGLES ± 1°	CHK'D. DATE	DATE	SHEET 3 OF 3 SCALE: 2:1			
	APP'D. DATE	DATE	DATE	REV 2			

OMNETICS
 CONNECTOR CORPORATION
 7260 COMMERCE CIRCLE EAST
 MINNEAPOLIS, MN 55432
 WWW.OMNETICS.COM