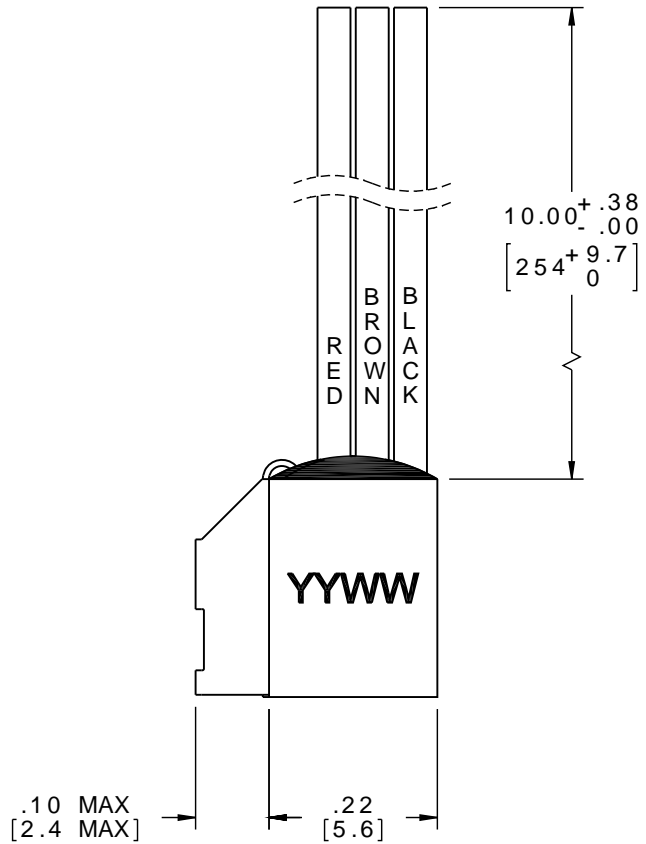
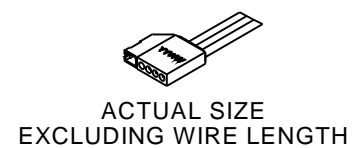


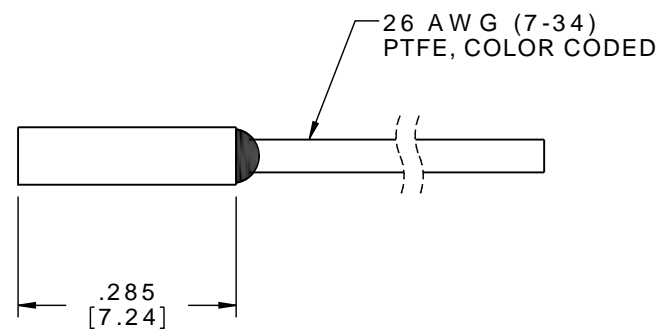
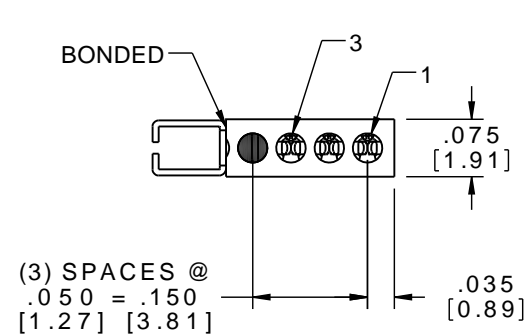
PART NO.	A105179-001	REV	ECO	DATE	APP
		1			



PIN #	COLOR
1	BLACK
2	BROWN
3	RED



\_\_\_\_\_  
Drawing Approval  
\_\_\_\_\_  
Date



REF: RAFAEL

NOTE:  
DIMENSIONS IN [ ] ARE IN MILLIMETERS UNLESS OTHERWISE NOTED AND ARE FOR REFERENCE ONLY

PST SLDW	THIRD ANGLE	THIS DRAWING CONTAINS CONFIDENTIAL AND PROPRIETARY INFORMATION WHICH IS THE PROPERTY OF OMNETICS CONNECTOR CORPORATION. THIS DOCUMENT MAY NOT, IN WHOLE OR IN PART, BE DUPLICATED, OR DISCLOSED FOR ANY PURPOSE, WITHOUT WRITTEN PERMISSION FROM OMNETICS CONNECTOR CORP.	
	-TOLERANCES- UNLESS OTHERWISE NOTED	DFTM. TLM	TITLE:
	DIMENSIONS IN INCHES	DATE 06-16-14	(3) PIN MALE SINGLE
	2 PL DEC ± .01 3 PL DEC ± .005 4 PL DEC ± .0005 ANGLES ± 1°	CHK'D.	ROW CONNECTOR
	APP'D.	DATE	W/LATCH

**OMNETICS**  
CONNECTOR CORPORATION  
7260 COMMERCE CIRCLE EAST  
MINNEAPOLIS, MN 55432  
WWW.OMNETICS.COM

CAGE CODE 61873	REV
DWG NO. A105179-001	1
SHEET 1 OF 1	SCALE: 4:1