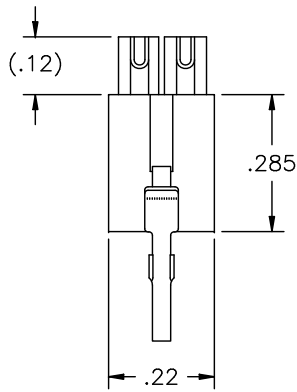
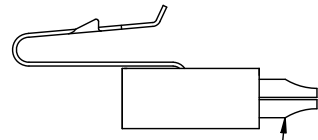
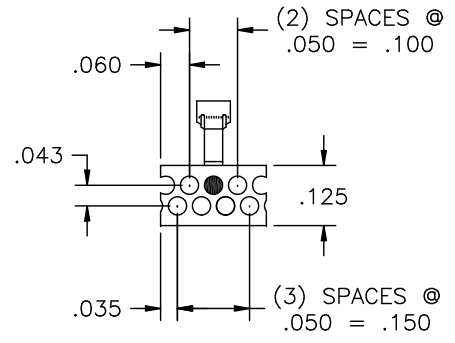


PART NO.	A18647-001	REV	ECO	DATE	APP



Drawing Approval

Date



NOTE ORIENTATION

REF: RAFAEL

PSM		THIRD ANGLE		ACAD	
-TOLERANCES-		THIS DRAWING CONTAINS CONFIDENTIAL AND PROPRIETARY INFORMATION WHICH IS THE PROPERTY OF OMNETICS CONNECTOR CORP. THIS DOCUMENT MAY NOT, IN WHOLE OR IN PART, BE DUPLICATED OR DISCLOSED FOR ANY PURPOSE, WITHOUT WRITTEN PERMISSION FROM OMNETICS CONNECTOR CORP.			
UNLESS OTHERWISE NOTED					
DIMENSIONS IN INCHES					
2	PL DEC ± .01	DFTM. TLM	05-06-09	TITLE:	CAGE CODE 61873
3	PL DEC ± .005	CHK'D.		(6) PIN MALE DUAL ROW	DWG NO. A18647-001
4	PL DEC ± .0005	APP'D.		OFFSET CONNECTOR	SHEET 1 OF 1
ANGLES	± 1			W/LATCH	REV 1
				7260 COMMERCE CIRCLE EAST	SCALE: 4:1
				MINNEAPOLIS, MN 55432	
				WWW.OMNETICS.COM	