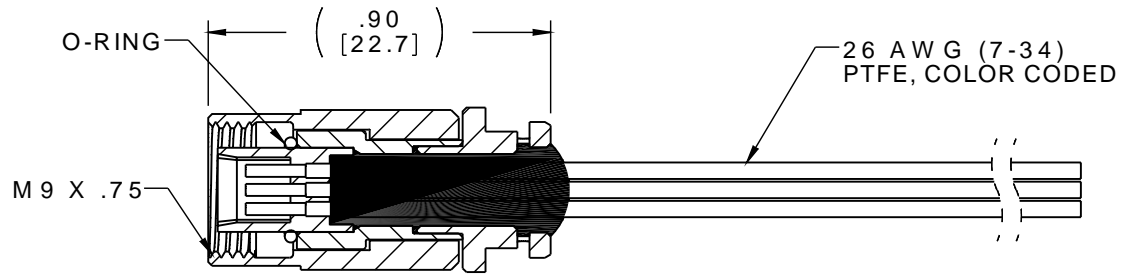
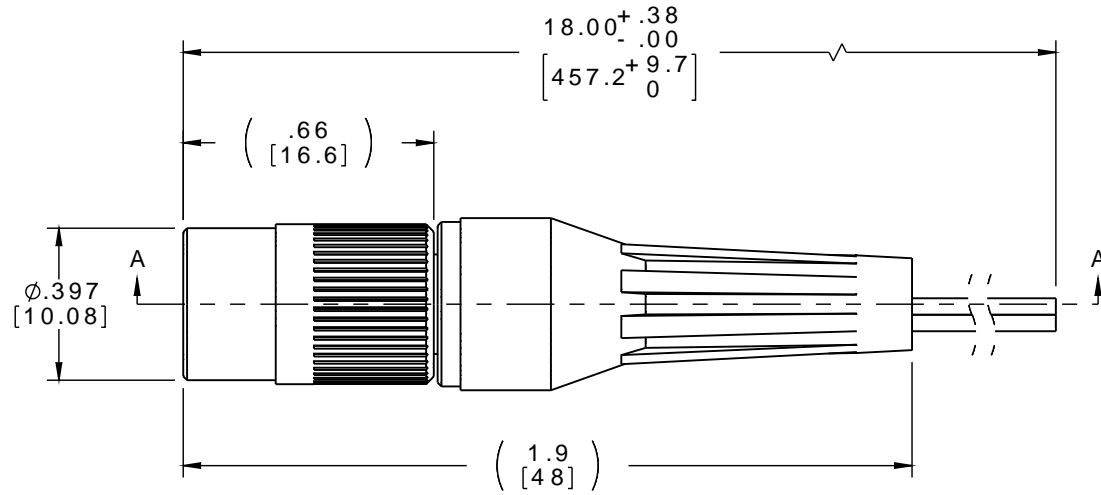
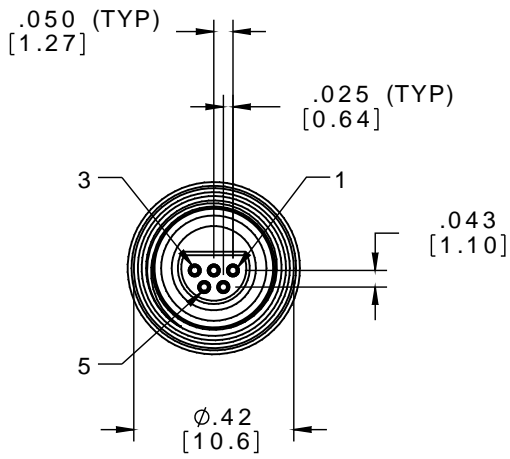
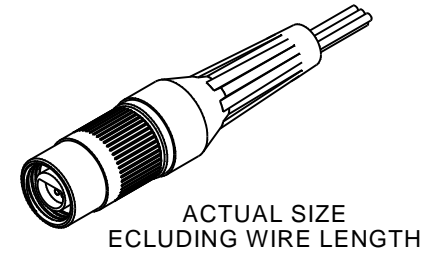


| | | | | | |
|----------|-------------|-----|--------|----------|-----|
| PART NO. | A 22372-001 | REV | ECO | DATE | APP |
| | | A | 100394 | 03-24-14 | TLM |



SECTION A-A
LESS STRAIN RELIEF



INTERNAL USE ONLY
USE MFG LOADING
PROCEDURE MC-5S

| SOCKET # | COLOR |
|----------|--------|
| 1 | BLACK |
| 2 | BROWN |
| 3 | RED |
| 4 | ORANGE |
| 5 | YELLOW |

NOTE:

DIMENSIONS IN [] ARE IN MILLIMETERS UNLESS OTHERWISE NOTED AND ARE FOR REFERENCE ONLY

| | | | | | |
|-------------|--|--|---------------|---|--|
| MMSC/SJL/DW | THIRD ANGLE | THIS DRAWING CONTAINS CONFIDENTIAL AND PROPRIETARY INFORMATION WHICH IS THE PROPERTY OF OMNETICS CONNECTOR CORP. THIS DOCUMENT MAY NOT, IN WHOLE OR IN PART, BE DUPLICATED, OR DISCLOSED FOR ANY PURPOSE, WITHOUT WRITTEN PERMISSION FROM OMNETICS CONNECTOR CORP. | | CAGE CODE 61873 | |
| | -TOLERANCES- UNLESS OTHERWISE NOTED DIMENSIONS IN INCHES | DFTM. TLM | DATE 03-12-14 | | TITLE: (5) SOCKET FEMALE CIRCULAR CONNECTOR W/METAL SHELL |
| | 2 PL DEC ± .01 3 PL DEC ± .005 4 PL DEC ± .0005 ANGLES ± 1° | CHK'D. | DATE | OMNETICS CONNECTOR CORPORATION 7260 COMMERCE CIRCLE EAST MINNEAPOLIS, MN 55432 WWW.OMNETICS.COM | DWG NO. A 22372-001 |
| | | APP'D. | DATE | 6260 COMMERCE CIRCLE EAST MINNEAPOLIS, MN 55432 WWW.OMNETICS.COM | SHEET 1 OF 2 SCALE: 2:1 |
| | | | | REV A | |