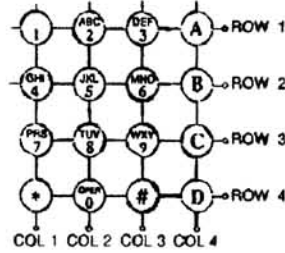


GENERAL SPECIFICATION

- Contact rating: 20mA, 24VDC
- Contact resistance: 200 ohm max
- Life: 2,000,000 cycles per key
- Operating Temperature: -20°C to +60°C
- Storage Temperature: -40°C to +65°C

CIRCUIT DIAGRAM

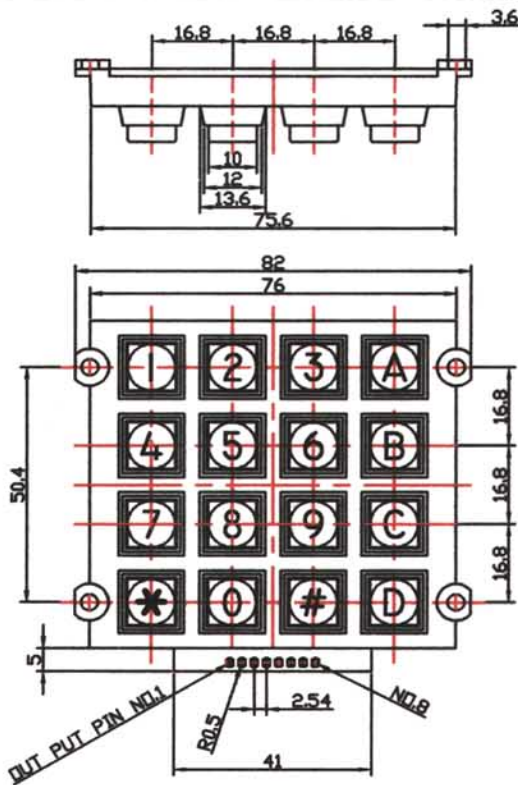


AK-1607

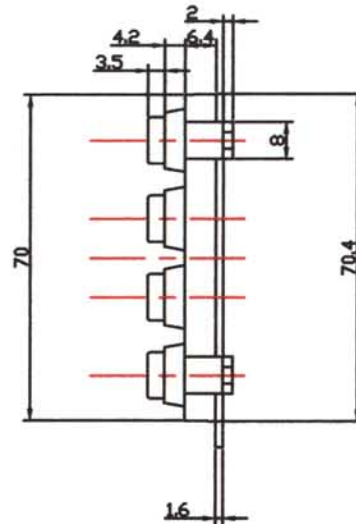
OUTPUT ARRANGEMENT	
OUTPUT PIN NO.	SYMBOL
1	ROW 2
2	ROW 3
3	COL 1
4	ROW 4
5	COL 2
6	COL 3
7	COL 4
8	ROW 1



AK-1607-N-BBY-WP-MM



ACTUATING FORCE: 120 ± 30 GRAMS.
STROKE: 2.0 ± 0.5mm



DWG	AK-1607-N-BBY-WP-MM
FIRM	ACCORD CO., LTD.
R&D	Denice Lin