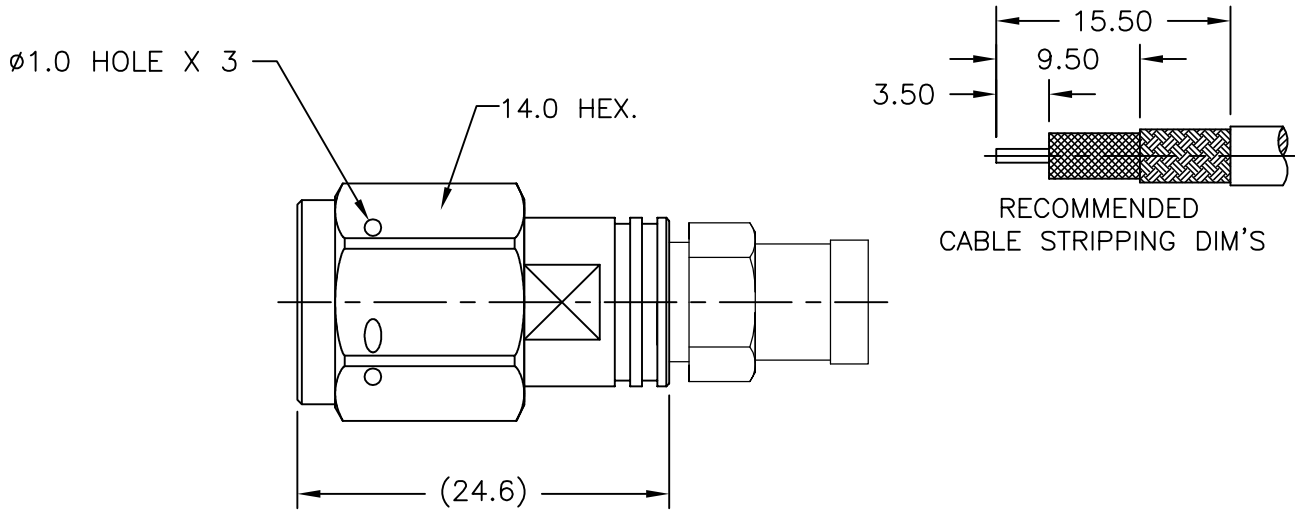


**NOTICE OF PROPRIETARY RIGHTS** THIS DOCUMENT CONTAINS CONFIDENTIAL TECHNICAL DATA, INCLUDING TRADE SECRETS, PROPRIETARY TO TIMES MICROWAVE SYSTEMS. DISCLOSURE OF THIS DATA IS EXPRESSLY CONDITIONED UPON YOUR ASSENT THAT ITS USE IS LIMITED TO USE WITHIN YOUR COMPANY ONLY. ANY OTHER USE IS STRICTLY PROHIBITED WITHOUT THE PRIOR WRITTEN CONSENT OF TIMES MICROWAVE SYSTEMS.

SYM	REVISION DESCRIPTION	DFTM	DATE	APPD	DATE
A	RELEASED FOR PRODUCTION	K.A.M.	7/14/11	J.D.B.	8/25/11
B	CHANGED PER CDC #40966	D.J.H.	10/27/14	J.D.B.	10/31/14

ALL PARTS SATISFIED ROHS REQUIREMENTS



MATERIALS AND PLATING		UNIT: MICRO-INCHES
BODY/SHELL	303 STAINLESS STEEL	PASSIVATION
CONTACT PIN	BRASS C3604	GOLD 50µ"/COPPER
INSULATOR	TEFLON MIL-P-19468	N/A

ELECTRICAL CHARACTERISTICS	
Impedance	50 Ω
Frequency range	0~18GHz
Voltage rating	335V(rms)
Dielectric withstanding voltage	500V
Contact resistance	Center contact: ≤3mΩ Outer contact: ≤2mΩ
Insulation resistance	≥5000MΩ
Insertion loss	According to the cable
RF- leakage	N/A
VSWR	≤1.35
3rd Intermodulation	N/A

MECHANICAL CHARACTERISTICS	
Force to engage and disengage	N/A
Center contact retention force	N/A
Recommended Coupling torque	4-6 in-lbs
Coupling nut retention force	≥ 60 lbs
Durability	≥ 500 cycles

ENVIRONMENTAL CHARACTERISTICS	
Temperature range	-55°C- +125°C
Vibration	US MIL- STD 202, Meth. 204, Cond. B
Shock	US MIL- STD 202, Meth. 213, Cond. G
Corrosion	US MIL- STD 202, Meth. 101, Cond. B

MATERIAL: UNLESS OTHERWISE SPECIFIED	DFTM: K. A. M.	TIMES MICROWAVE SYSTEMS
	DATE: 7/14/11	
USED ON: 0-3	CHKD: J. D. B.	<b>TC-205T-TMH-LW-SS</b>
	DATE: 8/25/11	
SCALE: N/A	APPD: J. D. B.	TNC MALE FOR SFT205 CABLE SOLDER/SOLDER
	DATE: 8/25/11	
DWG. SIZE: A	DO NOT SCALE DRAWING	CODE IDENT: 68999
		DATE: 8/25/11
		SH T: 1 of 1
		SD3190-2676
		REV: B