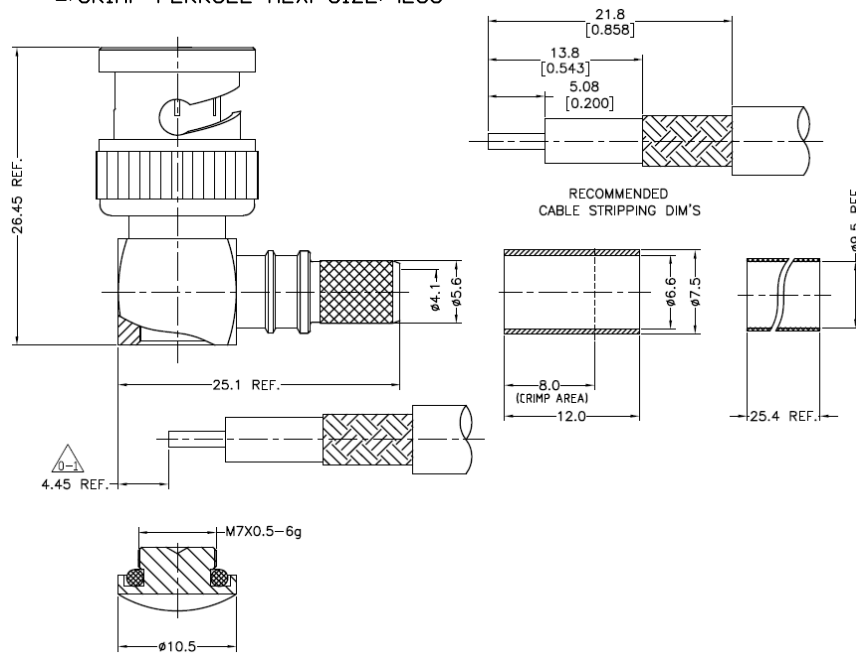


NOTICE OF PROPRIETARY RIGHTS THIS DOCUMENT CONTAINS CONFIDENTIAL TECHNICAL DATA, INCLUDING TRADE SECRETS, PROPRIETARY TO TIMES MICROWAVE SYSTEMS. DISCLOSURE OF THIS DATA IS EXPRESSLY CONDITIONED UPON YOUR ASSENT THAT ITS USE IS LIMITED TO USE WITHIN YOUR COMPANY ONLY. ANY OTHER USE IS STRICTLY PROHIBITED WITHOUT THE PRIOR WRITTEN CONSENT OF TIMES MICROWAVE SYSTEMS.

SYM	REVISION DESCRIPTION	DFTM	DATE	APPD	DATE
A	RELEASED FOR PRODUCTION	N. N. N	6/13/13	J. D. B.	6/26/13
B	CHANGED PER CDC #38712	N. N. N	10/23/13	J. D. B.	10/24/14
C	CHANGED PER CDC #39366	N. N. N	2/26/14	J. D. B.	2/27/14
D	CHANGED PER CDC #39406	N. N. N	3/4/14	J. D. B.	3/12/14

REMARKS:

- CONTACT PIN IS SOLDERED.
- CRIMP FERRULE HEX. SIZE: .256"



MATERIALS AND PLATING		UNIT: MICRO-INCHES
BODY	BRASS C3604	ALBALOY 80u"/COPPER
CONTACT PIN	BRASS C3604	GOLD 50 MIN/NICKEL/COPPER
INSULATOR	TEFLON MIL-P-19468	N/A
FERRULE	BRASS	ALBALOY 80u"/COPPER

ELECTRICAL CHARACTERISTICS	
Impedance	50 Ω
Voltage rating	500V(rms)
Frequency range	0~6GHz
Dielectric withstanding voltage	1000V
Contact resistance	Center contact ≤2.0mΩ Outer contact ≤0.2mΩ
Insulation resistance	>5000MΩ
Insertion loss	According to the cable
RF- leakage	N/A
VSWR	1.35 MAX.@0-6GHz
3rd Intermodulation	N/A

MECHANICAL CHARACTERISTICS	
Force to engage and disengage	N/A
Center contact retention force	6 Lbs
Coupling recommend torque	N/A
Coupling nut retention force	100 lbs
Durability	≥ 500 cycles

ENVIRONMENTAL CHARACTERISTICS	
Temperature range	-65°C- +165°C
Vibration	MIL-STD-202,Method 204,Cond B
Shock	MIL-STD-202,Method 213,Cond I
Corrosion	MIL-STD-202,Method 101,Cond B

MATL:
SEE ABOVE

USED ON:

SCALE: ~

UNLESS OTHERWISE SPECIFIED

ALL DIMENSIONS ARE IN mm

UNLESS OTHERWISE SPECIFIED:

- EDGES C0.15 MAX;
- REMOVE ALL BURRS;
- SURFACE ROUGHNESS Ra1.6;
- UNITS mm;
- DIMENSIONS TOLERANCES DECIMALS ANGLES
- .x ±0.3 ±20°
- .xx ±0.2

DO NOT SCALE DRAWING

DWG. SIZE A

DFTM. N. N. N

DATE 6/13/13

CHKD. J. D. B.

DATE 6/26/13

APPD. J. D. B.

DATE 6/26/13

TIMES MICROWAVE SYSTEMS

TC-240-BM-RA-D

90° BNCM for LMR-240

1 of 1

SD3190-2869

REV D