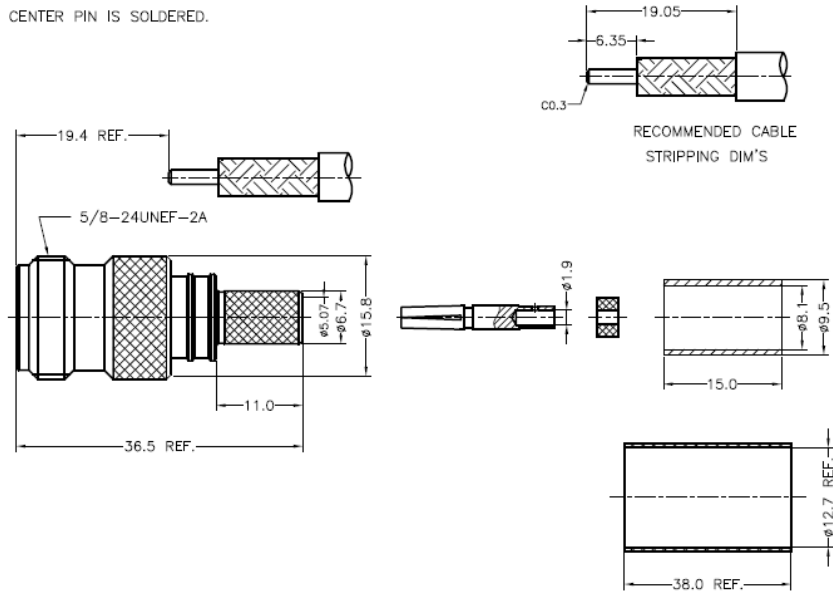


NOTICE OF PROPRIETARY RIGHTS THIS DOCUMENT CONTAINS CONFIDENTIAL TECHNICAL DATA, INCLUDING TRADE SECRETS, PROPRIETARY TO TIMES MICROWAVE SYSTEMS. DISCLOSURE OF THIS DATA IS EXPRESSLY CONDITIONED UPON YOUR ASSENT THAT ITS USE IS LIMITED TO USE WITHIN YOUR COMPANY ONLY. ANY OTHER USE IS STRICTLY PROHIBITED WITHOUT THE PRIOR WRITTEN CONSENT OF TIMES MICROWAVE SYSTEMS.

SYM	REVISION DESCRIPTION	DFTM	DATE	APPD	DATE
A	RELEASED FOR PRODUCTION	N. N. N	6/5/14	J. D. B.	6/6/14

REMARKS:

1. CRIMP FERRULE HEX. CRIMP SIZE .324"
2. CENTER PIN IS SOLDERED.



RECOMMENDED CABLE STRIPPING DIM'S

MATERIALS AND PLATING		UNIT: MICRO-INCHES
BODY	BRASS C3604	ALBALOY 80u"/COPPER
CONTACT PIN	PHOSPHOR BRONZE C54400	GOLD 50u"/COPPER
INSULATOR	TEFLON MIL-P-19468	NATURAL
FERRULE	BRASS	ALBALOY 80u"/COPPER

ELECTRICAL CHARACTERISTICS	
Impedance	50 Ω
Voltage rating	500V rms
Frequency range	0~6GHz
Dielectric withstanding voltage)	1000V
Contact resistance	Center contact: ≤3mΩ Outer contact: ≤2mΩ
Insulation resistance	≥5000MΩ
Insertion loss	0.1X/F GHZ
RF- leakage	N/A
VSWR	1.3 MAX
3rd Intermodulation	-

MECHANICAL CHARACTERISTICS	
(Force to engage and disengage)	N/A
Center contact retention force	N/A
Coupling torque	N/A
Coupling nut retention force	N/A
Durability	≥ 500 cycles

ENVIRONMENTAL CHARACTERISTICS	
Temperature range	-55°C- +155°C
Thermal shock	US MIL- STD 202, Meth. 107, Cond. B
Vibration	US MIL- STD 202, Meth. 204, Cond. B
Shock	US MIL- STD 202, Meth. 213, Cond. I
Climatic class	IEC 60068 65/165/21

MATL: SEE ABOVE

UNLESS OTHERWISE SPECIFIED

DFTM: N. N. N

TIMES MICROWAVE SYSTEMS

USED ON:

ALL DIMENSIONS ARE IN mm
UNLESS OTHERWISE SPECIFIED:
1) EDGES C0.15 MAX;
2) REMOVE ALL BURRS;
3) SURFACE ROUGHNESS Ra1.6;
4) UNITS mm;
5) DIMENSIONS TOLERANCES
DECIMALS ANGLES
.x ±0.3 °5'
.xx ±0.2

DATE 6/5/14

CHKD. J. D. B.

DATE 6/6/14

APPD. J. D. B.

TC-300-NF-X
N Female
for LMR-300

SCALE: ~ DWG. SIZE A

DO NOT SCALE DRAWING CODE IDENT 68999

DATE 6/6/14

1 of 1 SD3190-3078 REV A