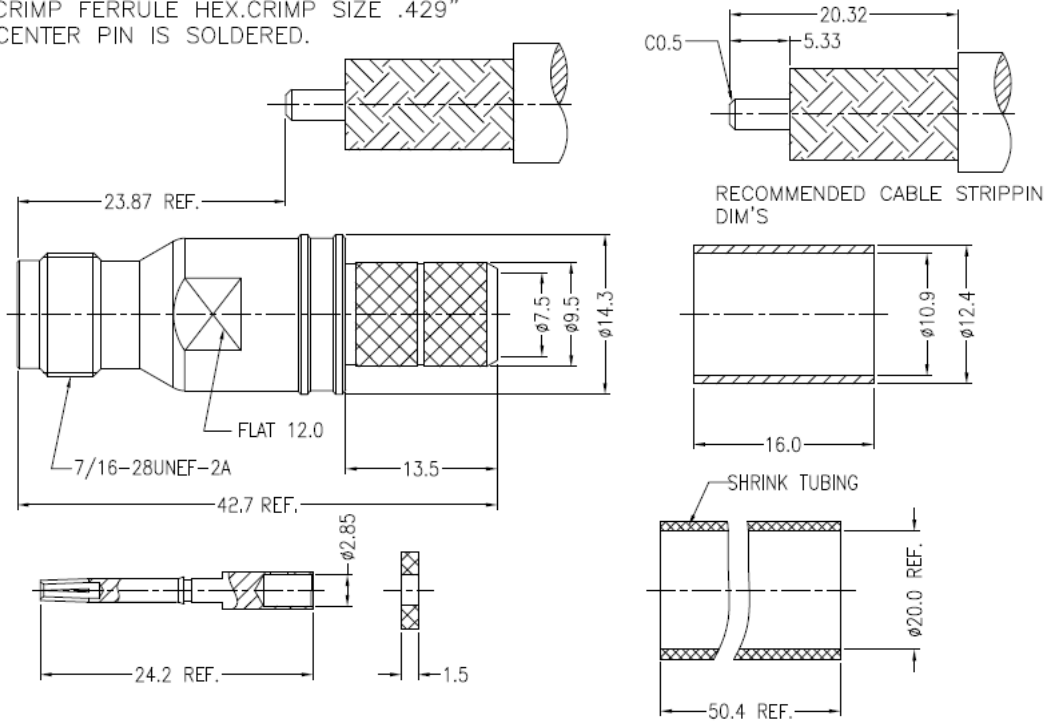


**NOTICE OF PROPRIETARY RIGHTS** THIS DOCUMENT CONTAINS CONFIDENTIAL TECHNICAL DATA, INCLUDING TRADE SECRETS, PROPRIETARY TO TIMES MICROWAVE SYSTEMS. DISCLOSURE OF THIS DATA IS EXPRESSLY CONDITIONED UPON YOUR ASSENT THAT ITS USE IS LIMITED TO USE WITHIN YOUR COMPANY ONLY. ANY OTHER USE IS STRICTLY PROHIBITED WITHOUT THE PRIOR WRITTEN CONSENT OF TIMES MICROWAVE SYSTEMS.

SYM	REVISION DESCRIPTION	DFTM	DATE	APPD	DATE
A	RELEASED FOR PRODUCTION	N. N. N	5/13/14	J. D. B.	5/23/14

**REMARKS:**

1. CRIMP FERRULE HEX. CRIMP SIZE .429"
2. CENTER PIN IS SOLDERED.



MATERIALS AND PLATING		UNIT: MICRO-INCHES
BODY	BRASS C3604	ALBALDY 80u"/COPPER
CONTACT PIN	PHOSPHOR-BRONZE	GOLD 50u"/NICKEL/COPPER
INSULATOR	TEFLON MIL-P-19468	N/A
BARREL	BRASS C3604	ALBALDY 80u"/COPPER

ELECTRICAL CHARACTERISTICS	
Impedance	50 Ω
Voltage rating	750V(rms)
Frequency range	0~6GHz
Dielectric withstanding voltage	1000V
Contact resistance	Center contact: ≤3mΩ Outer contact: ≤2mΩ
Insulation resistance	≥5000MΩ
Insertion loss	(According as the cable)
RF-leakage	N/A
VSWR	1.30 MAX.@0-6GHz
3rd Intermodulation	N/A

MECHANICAL CHARACTERISTICS	
Force to engage and disengage	N/A
Center contact retention force	6 lbs MIN.
Coupling torque	N/A
Coupling nut retention force	N/A
Durability	≥ 500 cycles

ENVIRONMENTAL CHARACTERISTICS	
Temperature range	-55°C- +125°C

MATL:  
SEE ABOVE

USED ON:

SCALE: ~

UNLESS OTHERWISE SPECIFIED

ALL DIMENSIONS ARE IN mm

UNLESS OTHERWISE SPECIFIED:

- 1) EDGES C0.15 MAX.
- 2) REMOVE ALL BURRS.
- 3) SURFACE ROUGHNESS Ra1.6
- 4) UNITS (mm)
- 5) DIMENSIONS TOLERANCES

DECIMALS ANGLES

.x ±0.2 ±5°

.xx ±0.2

DO NOT SCALE DRAWING

CODE IDENT 68999

DFTM. N. N. N

DATE 5/13/14

CHKD. J. D. B.

DATE 5/23/14

APPD. J. D. B.

DATE 5/23/14

TIMES MICROWAVE SYSTEMS

**TC-400-TF-X**

TNCF

for LMR-400

1 of 1

SD3190-3051

REV A