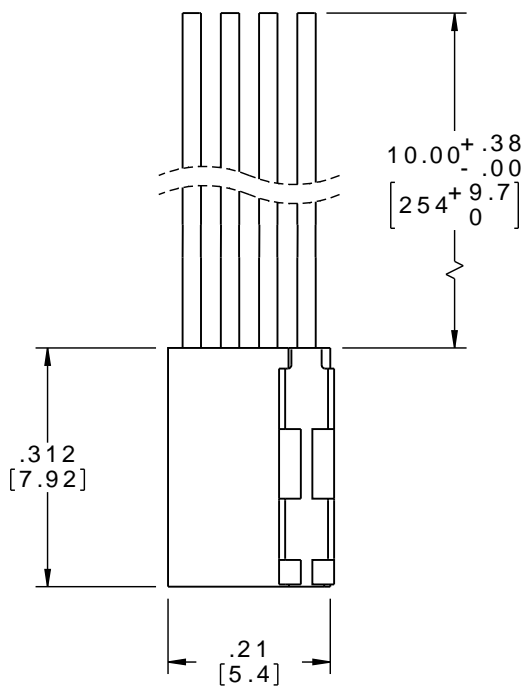
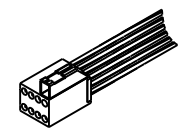


PART NO.	A 105166-001	REV	ECO	DATE	APP
		1			



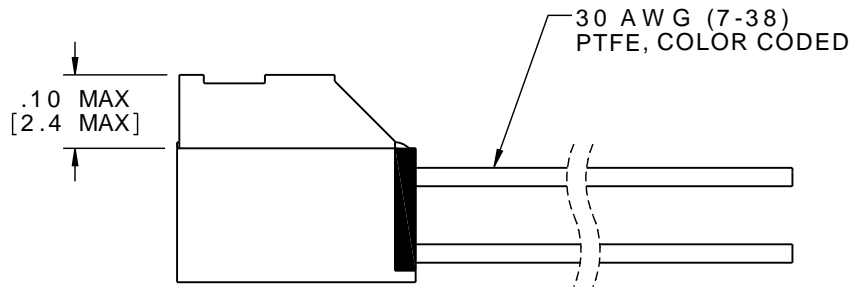
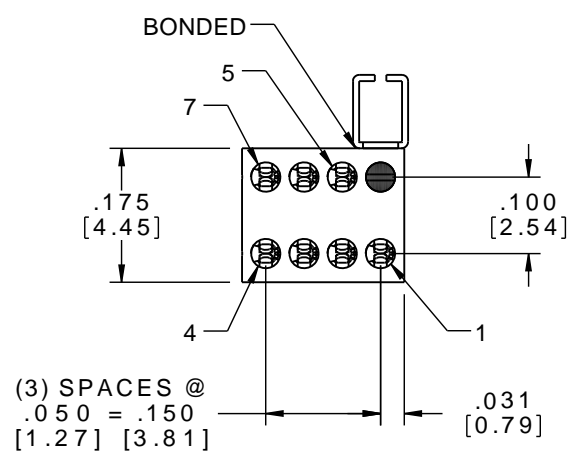
PIN #	COLOR
1	BLACK
2	BROWN
3	RED
4	ORANGE
5	YELLOW
6	GREEN
7	BLUE



ACTUAL SIZE
EXCLUDING WIRE LENGTH

Drawing Approval

Date



REF: RAFAEL

CONNECTOR NOMENCLATURE: DRP-07-WD-10.0-C-LT

NOTE:
DIMENSIONS IN [] ARE IN MILLIMETERS UNLESS OTHERWISE NOTED AND ARE FOR REFERENCE ONLY

DRP SUDW	THIRD ANGLE	THIS DRAWING CONTAINS CONFIDENTIAL AND PROPRIETARY INFORMATION WHICH IS THE PROPERTY OF OMNETICS CONNECTOR CORP. THIS DOCUMENT MAY NOT, IN WHOLE OR IN PART, BE DUPLICATED, OR DISCLOSED FOR ANY PURPOSE, WITHOUT WRITTEN PERMISSION FROM OMNETICS CONNECTOR CORP.	
	TOLERANCES - UNLESS OTHERWISE NOTED	DFTM. TLM	DATE 06-16-14
	DIMENSIONS IN INCHES	CHK'D.	DATE
	2 PL DEC ± .01 3 PL DEC ± .005 4 PL DEC ± .0005 ANGLES ± 1°	APP'D.	DATE
		TITLE: (7) PIN MALE DUAL ROW CONNECTOR W/LATCH	

OMNETICS
CONNECTOR CORPORATION
7260 COMMERCE CIRCLE EAST
MINNEAPOLIS, MN 55432
WWW.OMNETICS.COM

CAGE CODE 61873	
DWG NO. A 105166-001	
SHEET 1 OF 1	REV 1
SCALE: 4:1	