

CH Products

LP and P-Series

Trackballs



LP and P-Series

Panel Mount Trackballs

CH Products' LP and P-Series trackballs are designed for panel mount applications requiring a precision ergonomic cursor control device. Constructed with premiere components including high-end optical encoders and stainless steel shafts and bearings, LP and P-Series trackballs are ideally suited for kiosks, shipboard controls, and medical imaging systems. Available in three sizes; optional features include backlit illumination and choice of protocol.

Available Models

LP100

LP150

P200

Mechanical Specifications

	LP100	LP150	P200
Ball Diameter:	1.00"	1.50"	2.00"
Tracking Force	15g	10g	10g
Weight	33.5g	118.5g	257.5g
Life Cycle (ball rotations)	5,000,000	5,000,000	5,000,000
Operating Temperature	-40°C to +85°C	-40°C to +85°C	-40°C to +85°C

Protocol Options and Electrical Specifications

USB

Input: 4.00V - 5.25V @25mA max*

Output: USB 1.1

PS/2 (2/3BTN PS/2)

Input: 5.00V @ 25mA max*

Output: CMOS/TTL

Microsoft Serial**

Input: DTR/RTS @ 14mA max*

Output: RS-232, Serial

Quadrature

Input: 5.00V @ 30mA max*

Output: Quadrature Waveforms

Sun Workstation**

Input: 5.00V @ 30mA max*

Output: CMOS/TTL

* +30mA for backlit illumination

** Not available for LP100

Note: Microsoft Serial interface requires a customer supplied 5 volt supply for LED Backlighting option.

Configuration Options

LED Backlit Illumination Options

Choice of Red, Blue, Green, or Neutral

Mounting Options

180° horizontal or 90° vertical (specify when ordering)

LP100 mounting bezel (see technical drawing)

Additional Options

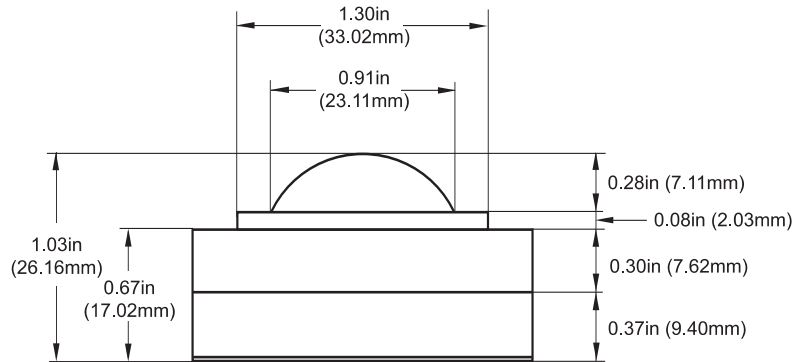
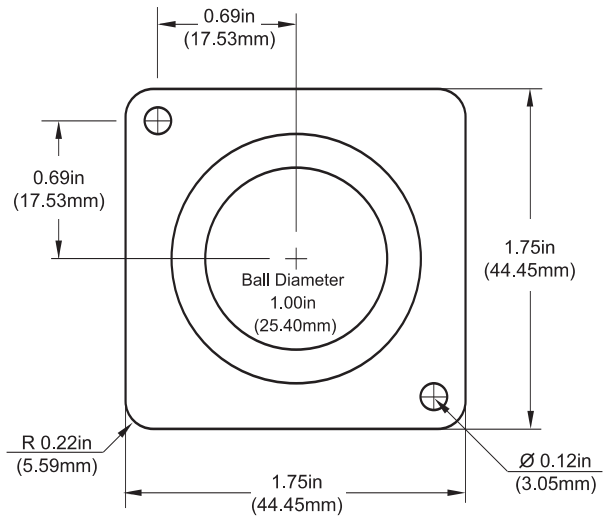
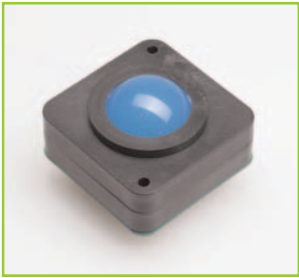
Connector cables

Conformal-coated PCB

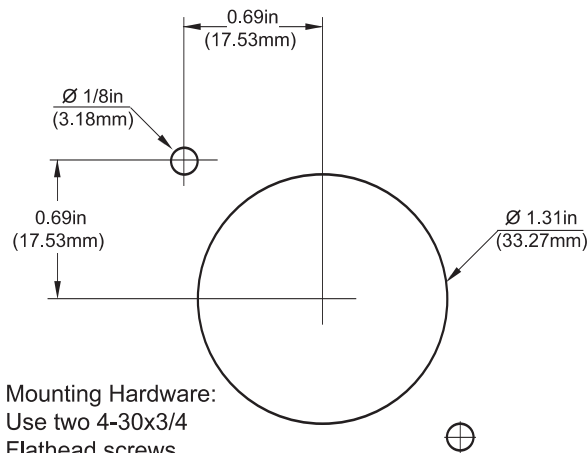
Pushbutton switch strips: Two, three, or four (USB only) button

All specifications are subject to change without notice.

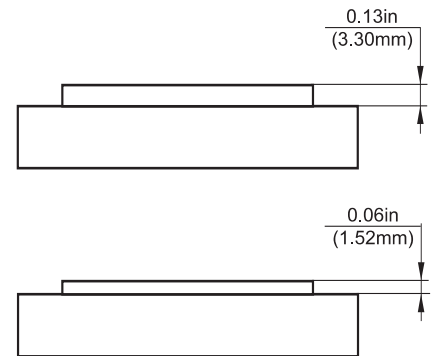
LPI00



MOUNTING CUTOUT DIMENSIONS



ADDITIONAL MOUNTING BEZELS (Please specify panel thickness when ordering)



CH Products

Button Strips Options

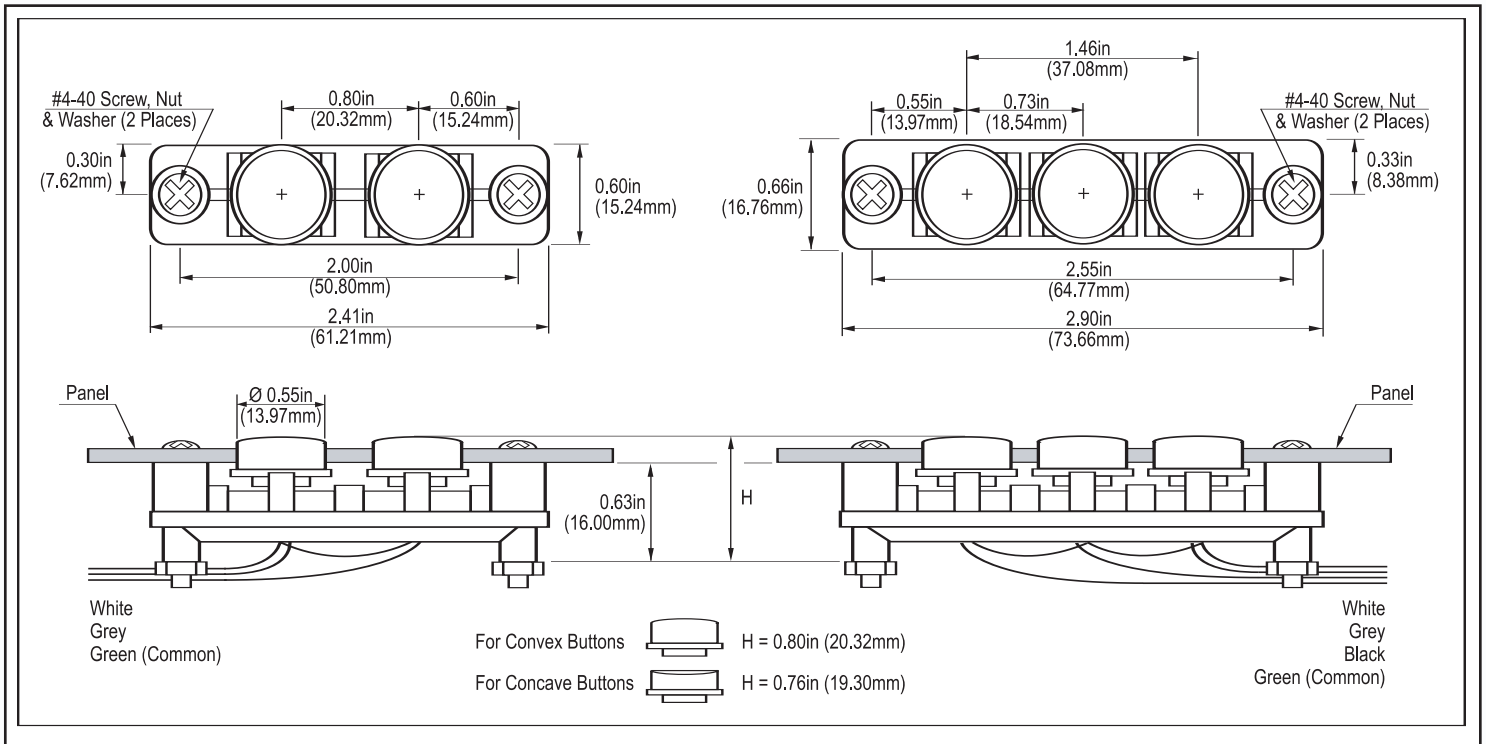
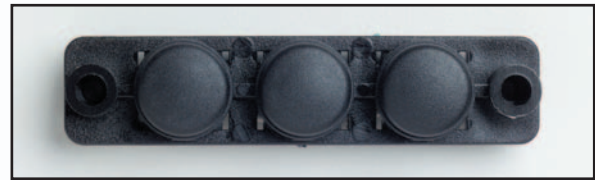
Features

- Two, three or four (USB only) button
- Tactile feedback
- Normally open momentary contact switch
- 5,000,000 life cycle rating at 500mA at 12VDC
- Black or gray button caps
- Choice of convex or concave design

2-BUTTON STRIP



3-BUTTON STRIP



CH Products
970 Park Center Drive
Vista, CA 92081

Telephone (760) 598-2518
Fax (760) 598-2524
Email oemsales@chproducts.com
Web Site www.chproducts.com