

CH Products

LP and P-Series

Trackballs



LP and P-Series

Panel Mount Trackballs

CH Products' LP and P-Series trackballs are designed for panel mount applications requiring a precision ergonomic cursor control device. Constructed with premiere components including high-end optical encoders and stainless steel shafts and bearings, LP and P-Series trackballs are ideally suited for kiosks, shipboard controls, and medical imaging systems. Available in three sizes; optional features include backlit illumination and choice of protocol.

Available Models

LP100

LP150

P200

Mechanical Specifications

	LP100	LP150	P200
Ball Diameter:	1.00"	1.50"	2.00"
Tracking Force	15g	10g	10g
Weight	33.5g	118.5g	257.5g
Life Cycle (ball rotations)	5,000,000	5,000,000	5,000,000
Operating Temperature	-40°C to +85°C	-40°C to +85°C	-40°C to +85°C

Protocol Options and Electrical Specifications

USB

Input: 4.00V - 5.25V @25mA max*

Output: USB 1.1

PS/2 (2/3BTN PS/2)

Input: 5.00V @ 25mA max*

Output: CMOS/TTL

Microsoft Serial**

Input: DTR/RTS @ 14mA max*

Output: RS-232, Serial

Quadrature

Input: 5.00V @ 30mA max*

Output: Quadrature Waveforms

Sun Workstation**

Input: 5.00V @ 30mA max*

Output: CMOS/TTL

* +30mA for backlit illumination

** Not available for LP100

Note: Microsoft Serial interface requires a customer supplied 5 volt supply for LED Backlighting option.

Configuration Options

LED Backlit Illumination Options

Choice of Red, Blue, Green, or Neutral

Mounting Options

180° horizontal or 90° vertical (specify when ordering)

LP100 mounting bezel (see technical drawing)

Additional Options

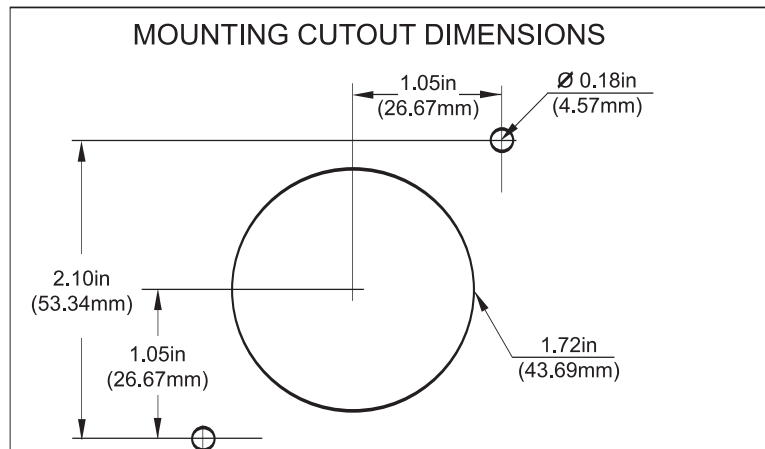
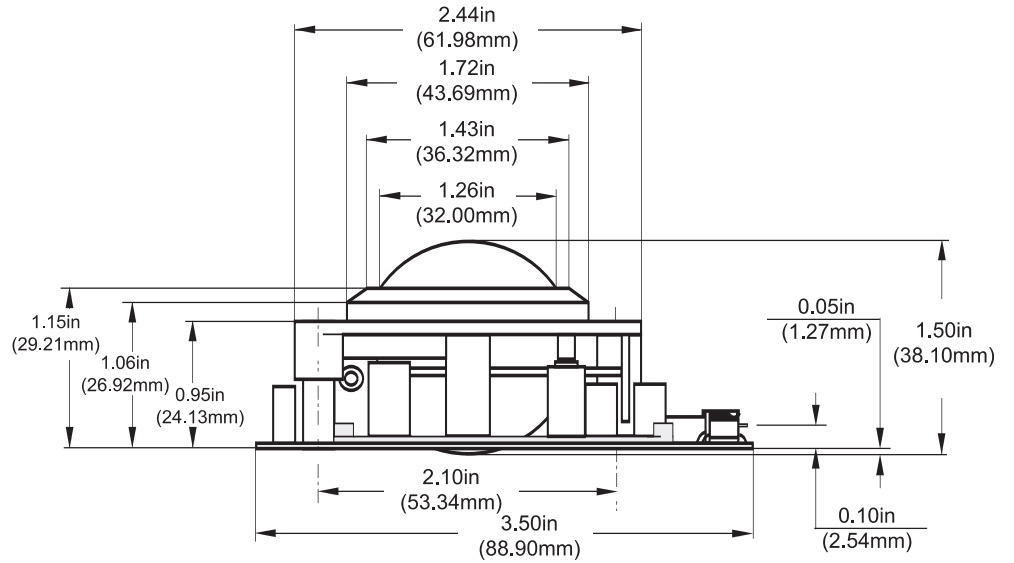
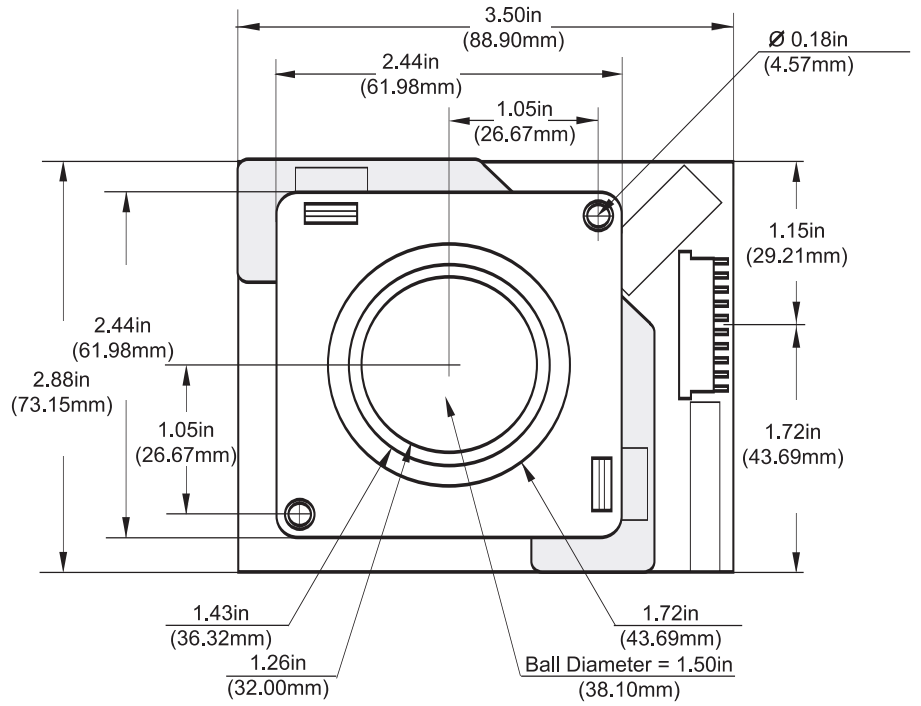
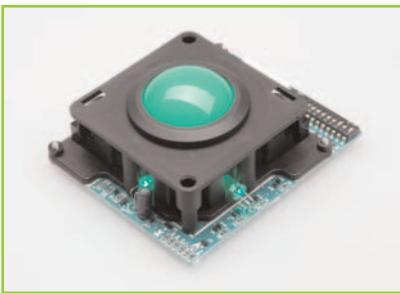
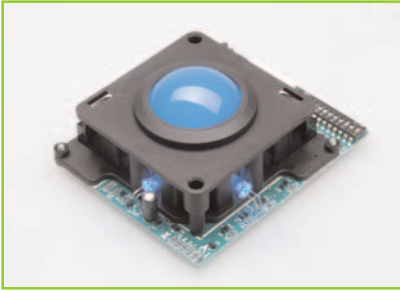
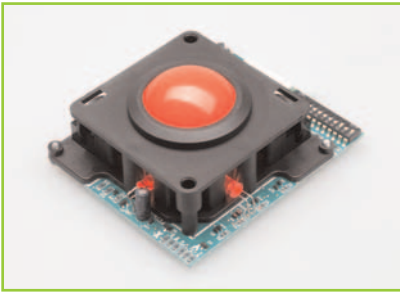
Connector cables

Conformal-coated PCB

Pushbutton switch strips: Two, three, or four (USB only) button

All specifications are subject to change without notice.

LP150



CH Products

Button Strips Options

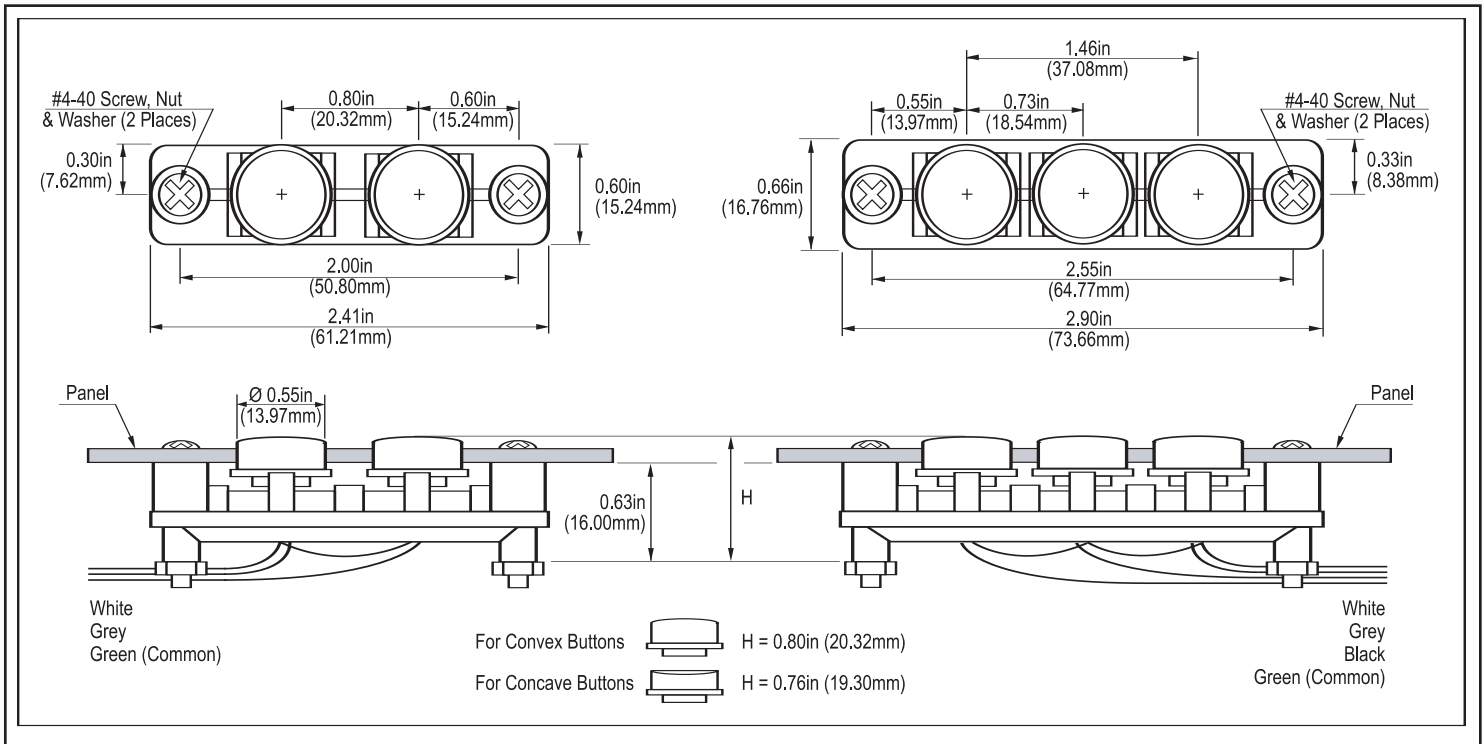
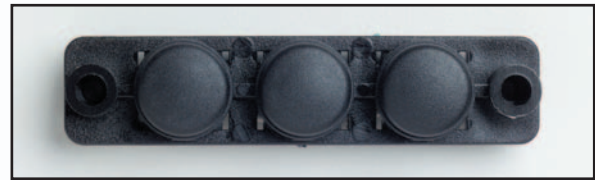
Features

- Two, three or four (USB only) button
- Tactile feedback
- Normally open momentary contact switch
- 5,000,000 life cycle rating at 500mA at 12VDC
- Black or gray button caps
- Choice of convex or concave design

2-BUTTON STRIP



3-BUTTON STRIP



CH Products
970 Park Center Drive
Vista, CA 92081

Telephone (760) 598-2518
Fax (760) 598-2524
Email oemsales@chproducts.com
Web Site www.chproducts.com