

AERO P/N	REF: MILITARY P/N	SHELL SIZE	INSERT ARRANGEMENT MIL-STD-1560	A	B FLAT	C HEX	D	E MATING THREAD	F NUMBER OF TEETH	G	J JAM NUT THREAD	K ACCESSORY THREAD
AE65-708-24XA23XX	D38999/24XA23XX	A	9-23 (9ea #23 contacts)	1.063	.651	.945/.859	.555	.6250	12	.087	M17	M12
AE65-708-24XB23XX	D38999/24XB23XX	B	11-23 (19ea #23 contacts)	1.252	.751	1.063/.984	.555	.7500	16	.087	M20	M15
AE65-708-24XC23XX	D38999/24XC23XX	C	13-23 (32ea #23 contacts)	1.374	.938	1.260/1.172	.555	.8750	20	.087	M25	M18
AE65-708-24XD23XX	D38999/24XD23XX	D	15-23 (55ea #23 contacts)	1.500	1.062	1.417/1.296	.555	1.0000	24	.087	M28	M22
AE65-708-24XE23XX	D38999/24XE23XX	E	17-23 (73ea #23 contacts)	1.626	1.187	1.457/1.422	.555	1.1875	28	.087	M32	M25
AE65-708-24XF23XX	D38999/24XF23XX	F	19-23 (88ea #23 contacts)	1.811	1.312	1.614/1.546	.555	1.2500	32	.118	M35	M28
AE65-708-24XG23XX	D38999/24XG23XX	G	21-23 (121ea #23 contacts)	1.937	1.437	1.811/1.672	.555	1.3750	36	.118	M38	M31
AE65-708-24XH23XX	D38999/24XH23XX	H	23-23 (151ea #23 contacts)	2.063	1.562	1.969/1.796	.555	1.5000	40	.118	M41	M34
AE65-708-24XJ23XX	D38999/24XJ23XX	J	25-23 (187ea #23 contacts)	2.189	1.687	2.017/1.939	.555	1.6250	44	.118	M44	M37

REVISIONS			
REV.	DESCRIPTION	DATE	APPROVED
-	INITIAL RELEASE PER ECO 13471	02/24/20	H.J.

SOCKET CONTACT P/N	PIN CONTACT P/N
5065-872-230H	5265-871-230H

NOMENCLATURE
AE65 - 708 - 24 F X 23 X X

AERO PROJECT NUMBER:
MIL-DTL-38999, SERIES III

SHELL TYPE:
24 = JAM NUT RECEPTACLE WITH REMOVABLE PC TAIL CONTACTS

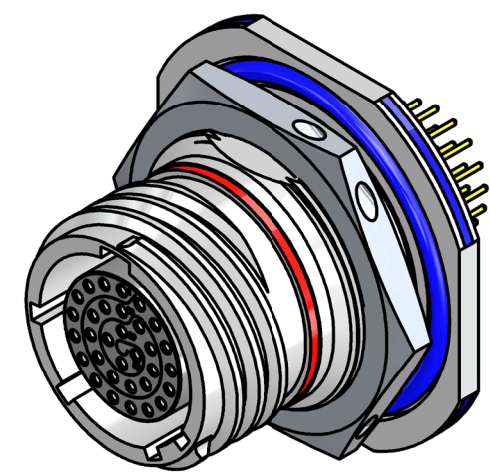
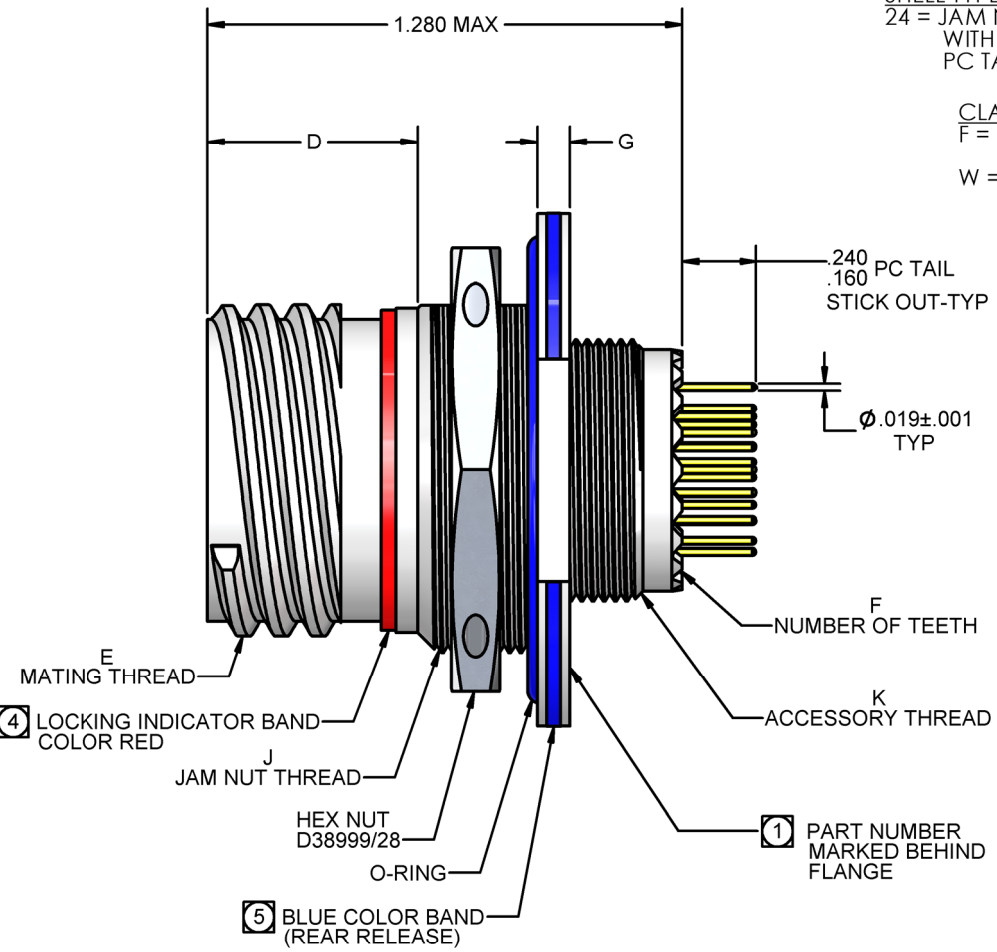
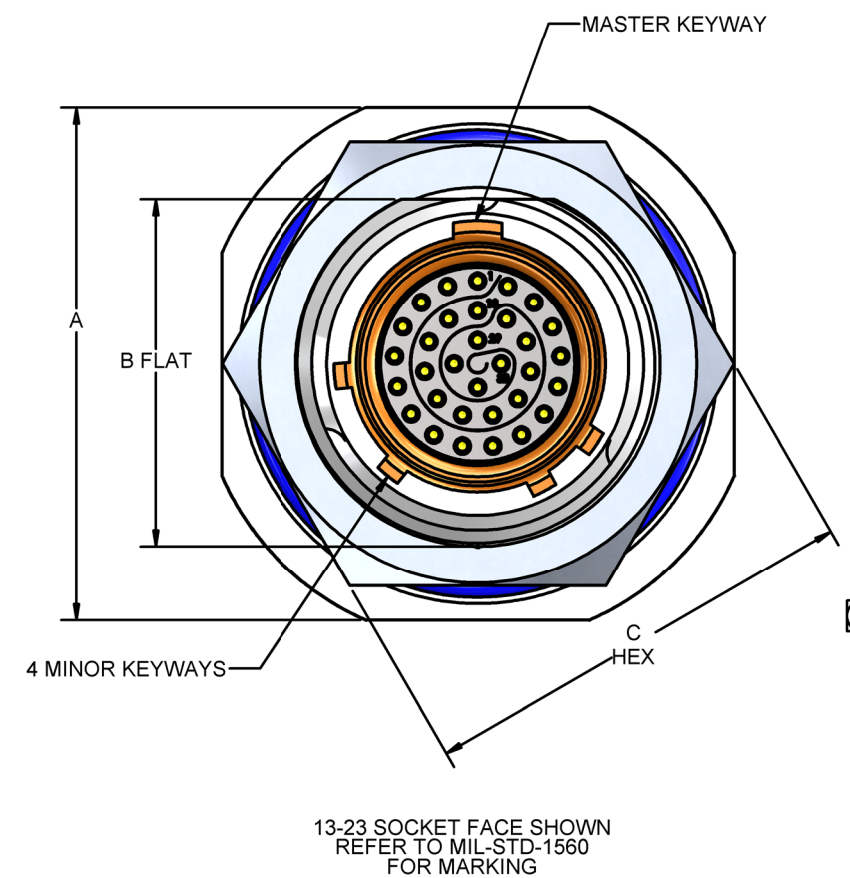
CLASS (MATERIAL & FINISH):
F = ALUMINUM ALLOY, ELECTROLESS NICKEL
W = ALUMINUM ALLOY, CADMIUM, OLIVE DRAB

POLARIZATION:
N = NORMAL
A, B, C, D, or E

CONTACT STYLE:
S = SOCKET
P = PIN

INSERT ARRANGEMENT:
PER MIL-STD-1560

SHELL SIZE: (SEE TABLE)
A=9, B=11, C=13, D=15, E=17, F=19, G=21, H=23, J=25



- 7. INSERTION/REMOVAL TOOL WILL NOT BE PROVIDED WITH CONNECTORS.
- 6. CONNECTOR IS MANUFACTURED TO APPLICABLE REQUIREMENTS IN ACCORDANCE WITH MIL-DTL-38999, SERIES III, (D38999/24) EXCEPT WHERE INDICATED.
- 5 BLUE COLOR BAND DESIGNATES REAR RELEASE.
- 4 FULLY MATED INDICATOR BAND, COLOR RED.
- 3. DRAWING ILLUSTRATES FINAL ASSEMBLY WITH CONTACTS LOADED VIA SHIPMENT.
- 2. FOR CONTACT ARRANGEMENT PATTERN, SEE MIL-STD-1560.
- 1 MARKING: AERO PART NUMBER, MANUFACTURING DATE CODE AND CAGE NUMBER LOCATED APPROXIMATELY WHERE SHOWN.

NOTES UNLESS OTHERWISE SPECIFIED:

PROJECTION 	APPLICATION	UNLESS OTHERWISE SPECIFIED	DRAWN	E. AGUILAR	02/21/20	AERO ELECTRIC CONNECTOR, Inc. 2280 208th Street Torrance, California 90501
	TSR 2629	INTERPRET DWG PER MIL-STD-100 ALL DIMENSIONS IN INCHES PART TO BE FREE OF BURRS ALL DIM APPLY BEFORE PLATING ALL MACHINED SURFACES MAX. RUNOUT .005 FIM BREAK SHARP EDGES .005 MAX MACHINE FILLET RADII .006 MAX .XX ±.010 .XXX ±.005 ANGLES ±2° DO NOT SCALE DRAWING	CHECK	H. J.	02/21/20	
--CONFIDENTIAL INFORMATION-- CONFIDENTIAL INFORMATION OF CONESYS, INC. IS CONTAINED IN THIS DRAWING. THE TRANSMISSION, USE, OR RELEVATION OF ANY PORTION OF THIS DRAWING OUTSIDE OF THE ENTITY TO WHOM IT WAS SENT, WITHOUT WRITTEN AUTHORIZATION OF CONESYS, INC. IS PROHIBITED.			APVD	HASSAN JAMSHIDIAN	02/21/20	TITLE CUSTOMER USE DRAWING MIL-DTL-38999/24 SERIES III, JAM NUT MOUNT WITH REMOVABLE PC TAIL CONTACTS, SIZE 23 DWG. NO. AE65-708-24XX23XX REV -
			FINISH			SIZE C CAGE CODE 59976 SCALE 3:1 SHEET 1 OF 1