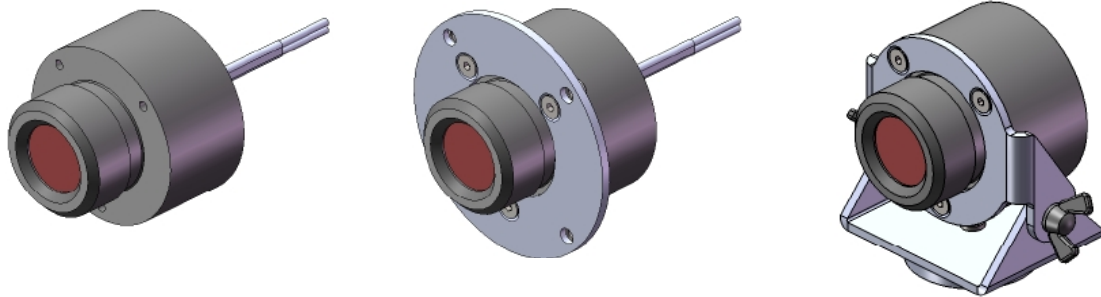


DPI - 011 Infra-Red Driving Projectors



Applications

- Military Vehicles
- Law Enforcement
- Security Vehicles
- Peacekeeping Operations
- Outdoor and Wildlife observation



DPI - 011 series of Infra-Red illuminators enables driving at night, using Night Vision Goggles and Image Intensifiers of all kinds in total darkness.

The Projectors light to a distance of 100m (depending of the optics and type of NVG used), with optics developed especially for driving, illuminating a wide area in the close distance.

The Projectors are rugged and sealed, designed for harsh environments and severe operating conditions, featuring military grade components and materials. Using High intensity LED assures long life operation.

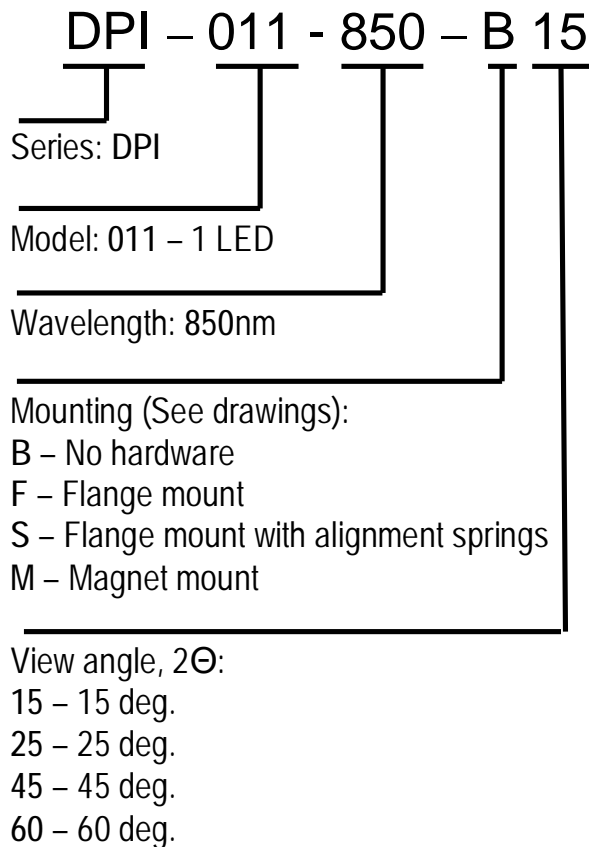
A Compact design and several mounting options allow a variety of applications on many types of vehicles.

Other features such as different wavelength, wiring for an external dimmer, mounting and finishing options are available upon request.

Specifications

LED array Wavelength	850nm
Radiant power	180mW
Power Consumption	2.4 W
Input Voltage	7 to 32 V DC
Weight	125g
Protection	IP66
Operating Temperature	-35°C to +54°C
Operating Humidity	5% to 100%
Finish	Black Anodize

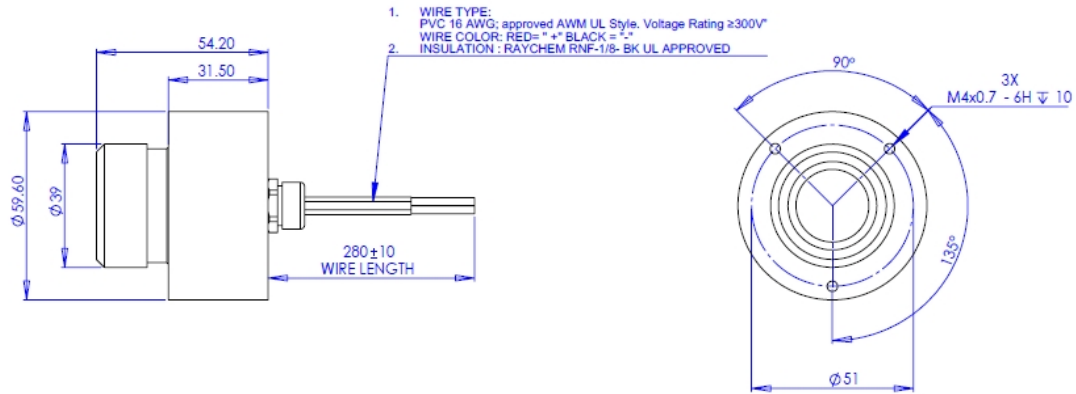
Ordering information



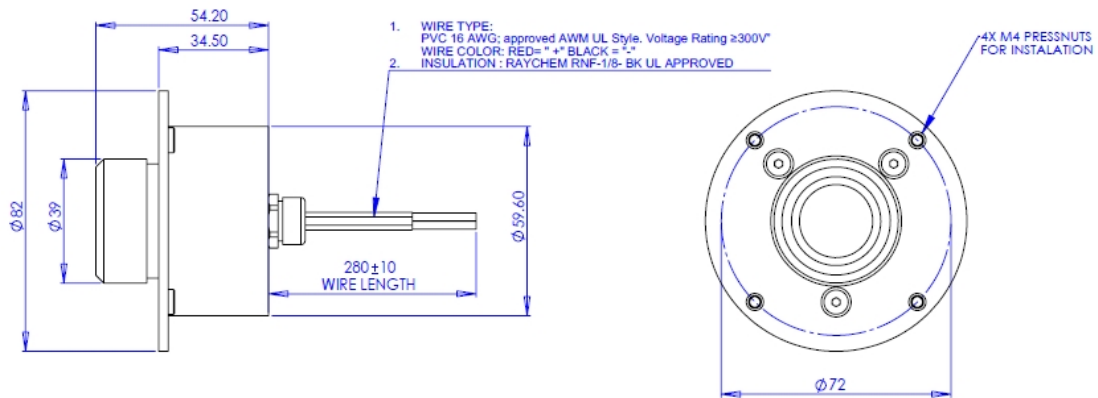
Other options are available upon request

Outline Dimensions

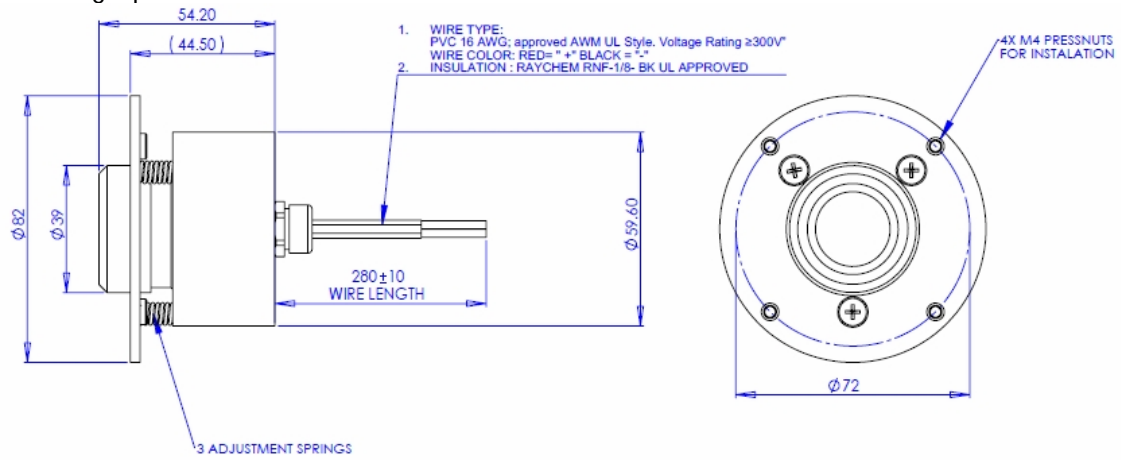
Mounting Option B:



Mounting Option F:



Mounting Option S:



Mounting Option M:

