

Designation

 Connectors with straight
 Spills contacts for PCB soldering
 Interface per D38999 III
 MIL SPEC SUFFIX A / B

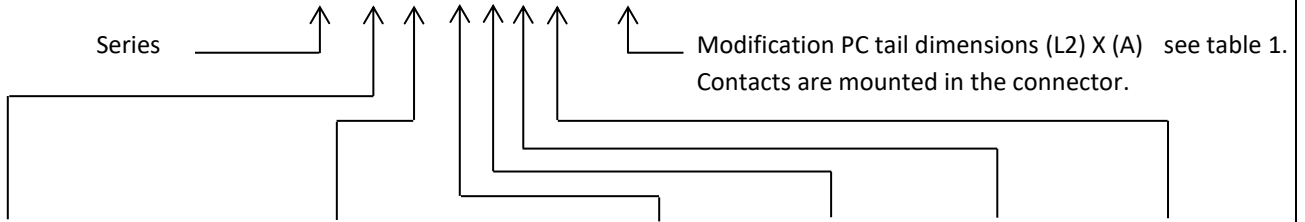
 Drawing No: N/A
 Drawn by: MR
 Drawing Revision: 1
 Part Number Revision: N/A

Date: 28/03/2024 PAGE 1/1

Elimec Part Number: EL-320/ EL-324...PC(L2) X (A) Customer Use Drawing

Customer Part Number: N/A

Part Number Example: EL-3 20 W 17 6 P N-PC (5.0) X (0.5)



Shell type	Class (Material and finish)	Shell Size	Insert Arrangement	Contact Style	Polarization
20- Square Flange receptacle	F- Aluminum shell, electroless nickel finish	9 thru 25	Mil STD 1560	S- Socket P- Pin	N- Normal A,B,C,D or E for alternatives
24- Jam Nut receptacle	W- Aluminum shell, olive drab cadmium over nickel				
	K- Stainless steel shell, passivated				
	S- Stainless steel shell, electrodeposited nickel				
	BZ- Aluminum nickel bronze shell- see Note Z- Aluminum shell, blk. zinc nickel				

All dimensions and characteristics of connectors are in accordance with MIL-DTL-38999 specifications.

Square Flange EL-320 (D38999/20)

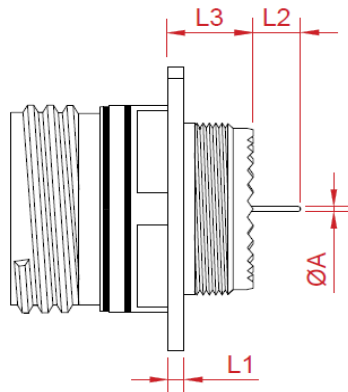


Table 1 (L2) X (A)

Contact size	ØA±0.1	L2±1.0
22D	0.5 or 0.7	5.0 or 8.5
20	0.5 or 0.7	5.0 or 8.5
16	1.15	5.0 or 8.5
12	1.7	5.0 or 8.5

Jam Nut EL-324 (D38999/24)

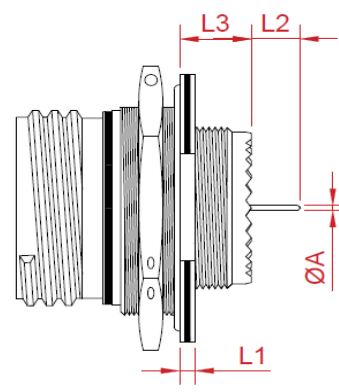


Table 2

Elimec P/N	Shell size	L3±0.4	L1±0.2
EL-320	9 to 19	10.55	2.3
	21 to 25	11.35	3
EL-324	9 to 17	9.85	2.7
	17 to 25		3.5

Other tail dimensions are available on request.

Notes:

- For qpl D38999 connectors is marked with the generic military p/n: D38999/2XXXXXA/BX
 According to MIL-DTL-38999 when non-standard contacts are installed in a connector instead of the standard contacts -code A (for special male pins) and code B (for special socket contacts) should be marked on the connectors.
- For Bronze connectors (class BZ) is marked with the generic p/n of the specific manufacturer .
 RB for Amphenol / BZ for Aero Electric / B for Deutsch (TE)